

# PUM IT UP PHOENIX



- ▶ Please read this Manual carefully before using this game machine
- ▶ Please collect this manual well that you can read it anytime

## Safety Precautions

### ■ Placing

Please read the manual carefully before placing, moving and carrying

Please fix the 4 point well and ensure it is even and no wagging, or it may will be damaged

Do not force to move or open the door, it may cause body injured or cabinet damage

This machine is used indoor only, no placing at exit door

Placing in below places prohibited, it will cause damage to the machine

- place of rain leakage and high humidity
- place of direct sunlight
- place of over heat, such as air conditioner and fan heater
- place of buildings nearby the petrol station
- Placing the chemicals and water holders on the top of machine prohibited

Placing nearby the ventilation opening prohibited

Do not force the plug out of shape and do not put overweight goods on the cabinet

Operate the machine with wet hands prohibited

When unplugging the electric cord, tightly hold the plug and avoid pulling the electric cord

Before plugging in the cabinet, first make sure the voltage is right

Extension cord must be in accordance with specified ratio, do not beyond the standard

AC power socket must be in accordance with national standard AC

One power socket for One machine only

Power socket do not be placed in people-walking area

Operate the machine in connection with grounding

A distance of 100mm or more should be kept between the cabinet and another cabinet

Do not adjust the DIP switch under no permission

■ Operation

Please shutdown power AC, pull out the plug when smoke, peculiar smell and abnormal sound occurs

It will lead to fire damage operated in abnormal condition

AC cord must be plugged in tightly and cleaned regularly AC

Operate the machine in business district only

Operate in living quarters may cause electromagnetic interference to TVs, radios and phones, etc.

Do not plug or unplug the power cord with wet hands

Please shutdown the power and replace new one if the plug or socket is broken

■ maintenance and cleanness

Please turn off the power and unplug the power cord

Please replace the old parts with new one of same specification

There is high voltage current in part of the machine, professionals open the back door and maintain the machine only

Please turn off the power and unplug the power cord when you open back door to operate

It may cause electric shock if not turn off the power and unplug the power cord

Please use the neutral detergent and soft cloth to clean the machine

-Isohexadecane and alcohol are prohibited

-No water leakage inside the cabinet or it may cause electronic shock or trouble

■ Moving and transport

Please pay attention to the effects on electronic components and precision machinery caused by vibration and shock during moving and transport

Do not overturn the cabinet

Please turn off the power and unplug the power cord before moving

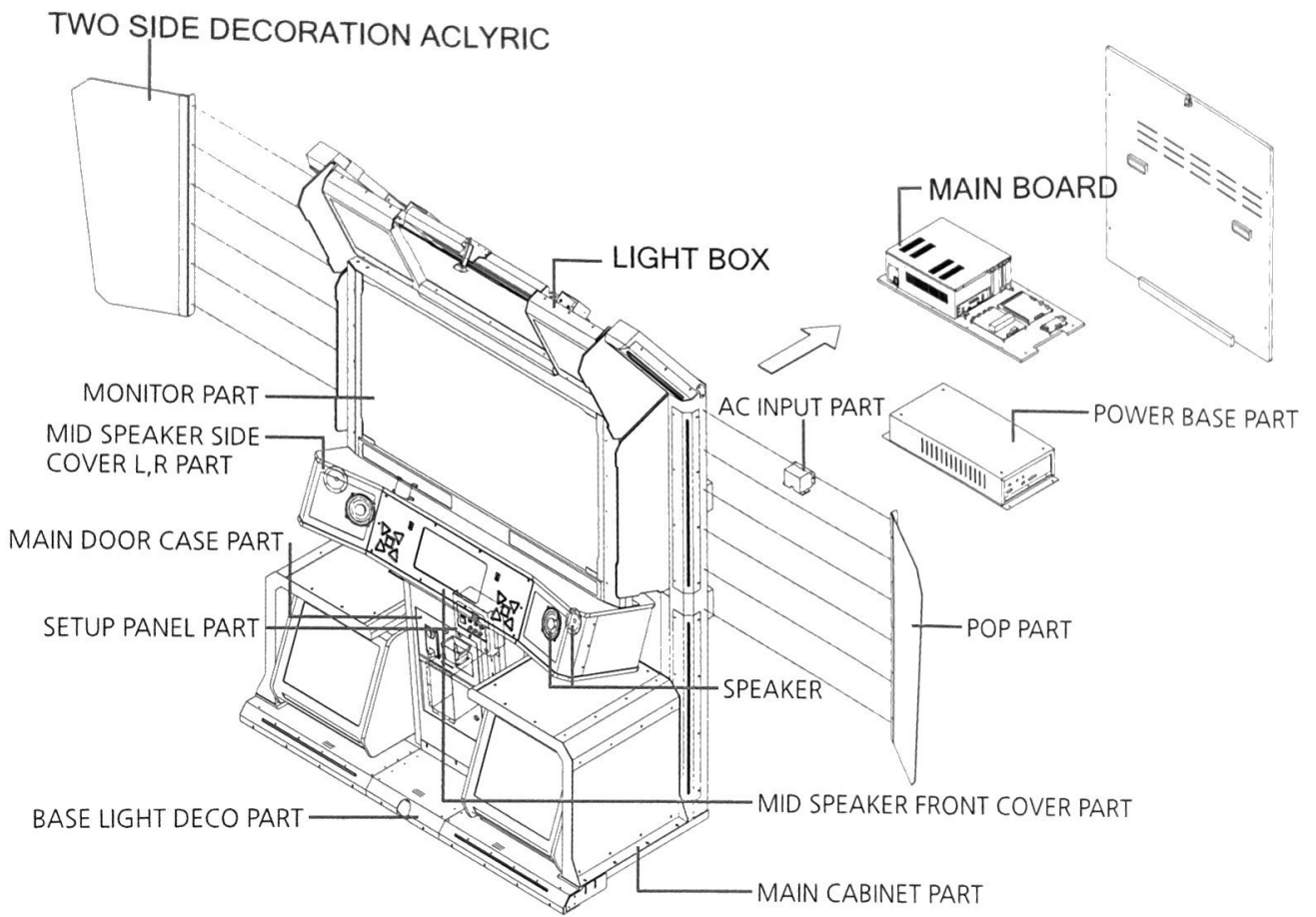
Please let the 4 level legs off the ground and no shock during moving



**CAUTION**

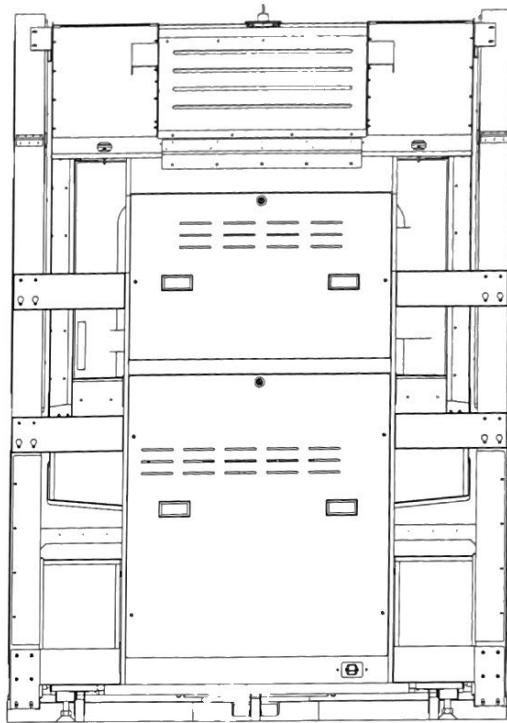
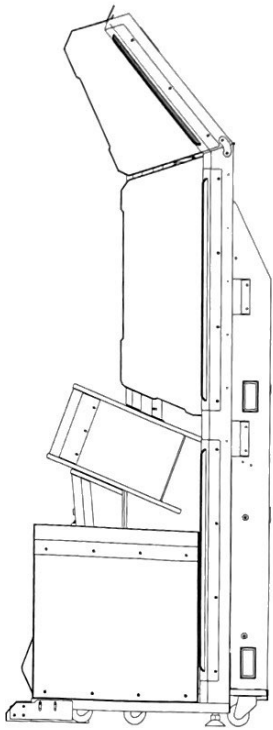
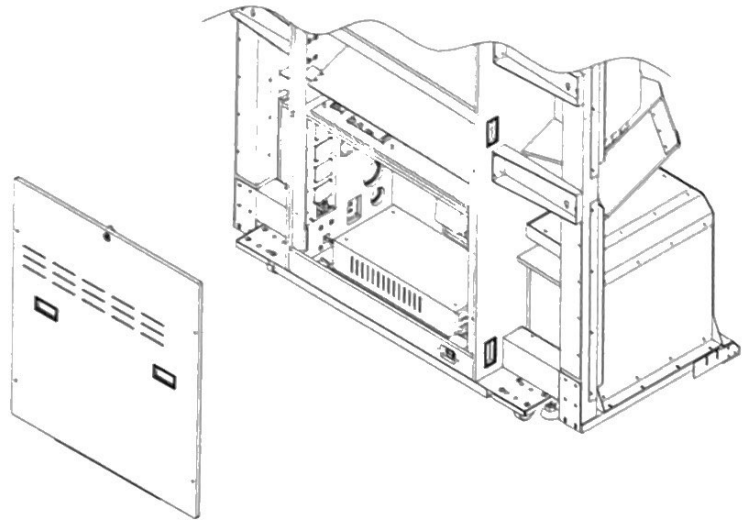
**Power cords must be plugged in with a ground cord. Ground wire must be connected properly.**

### 1-3. NAME OF THE PARTS



1-4. STICKER PLACE

①



①

②













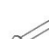
③

④

⑤

⑥

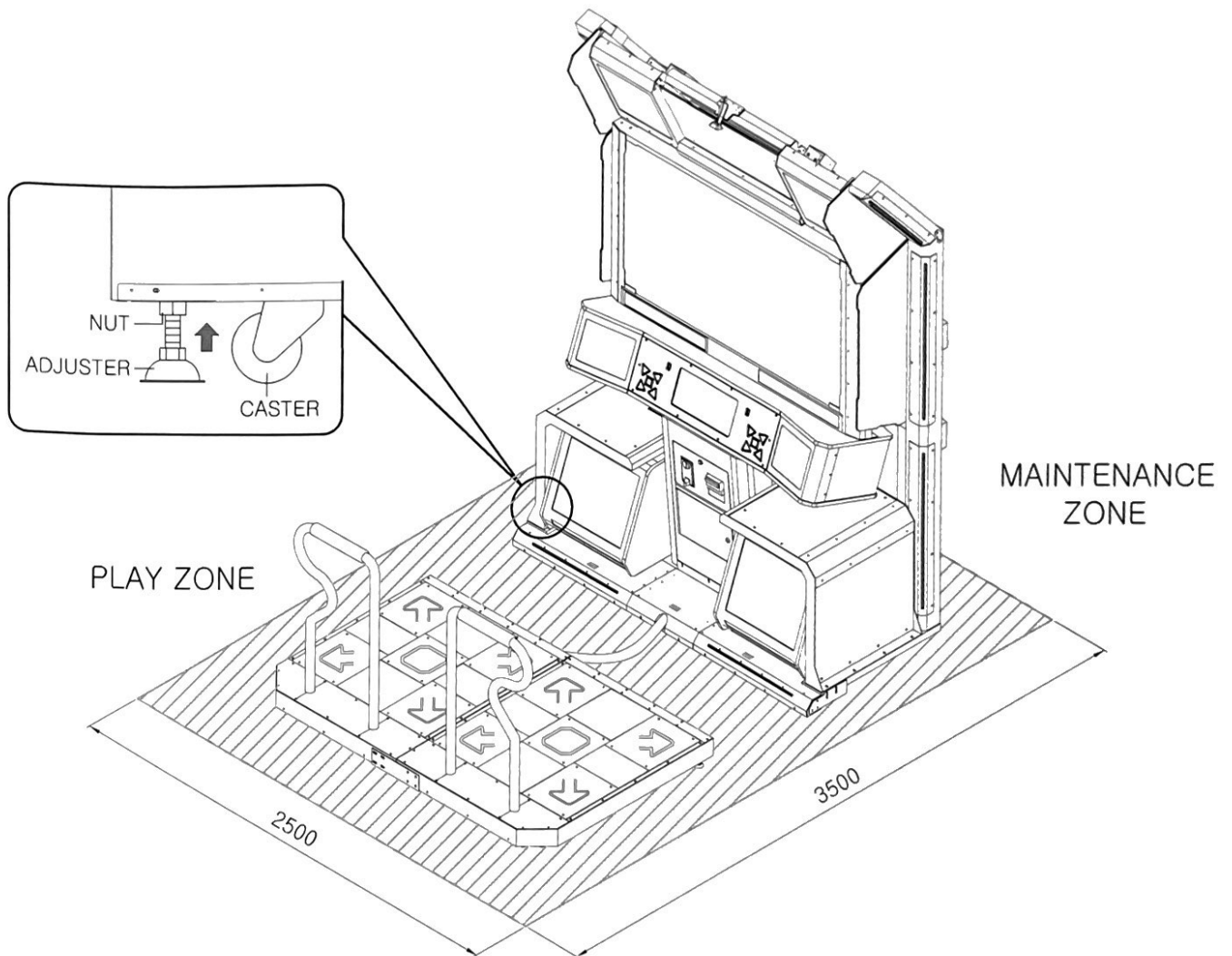
1-5.ACCESSORIES

NO.	PART NAME	SPEC.	QTY
1	AC POWER CORD, MANUAL	- 	Each 1
2	KEY	6001, 7001 	2
3	WIRING	- 	1
4	CONNECTOR BRACKET-[STEP]	- 	1
5	JOINT BRACKET	- 	2
6	STEP STICKER	- 	1
7	WRENCH	4mm, 6mm, 8mm 	Each 1
8	BOLT	M4x8L 	15
9	BOLT	M4x16L 	8
10	BOLT	M6x16L 	14
11	BOLT	M6x20L 	6
12	BOLT	M8x15L 	18
13	BOLT	M10x16L 	20

2-1.6. k-jj-k0n . P-32

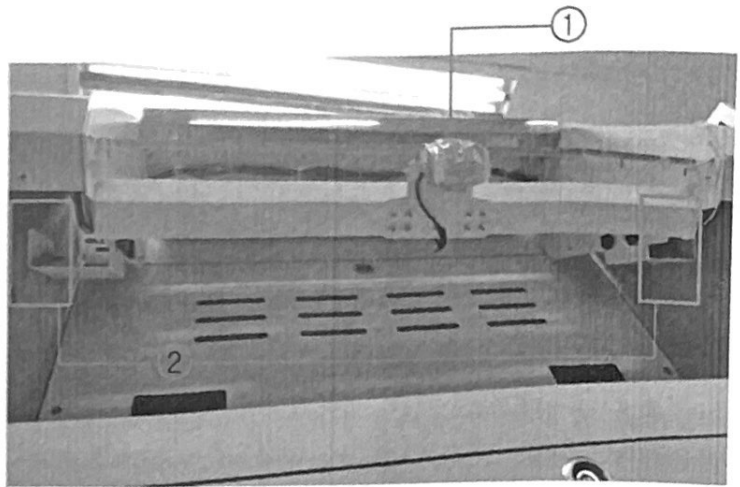
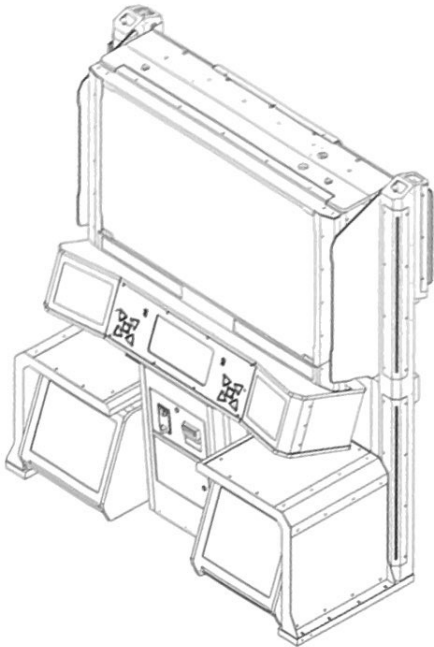
- Please make sure to leave enough space to install the cabinet

- Please find a flat space to install this cabinet and fix the balance screw in case of cabinet moving



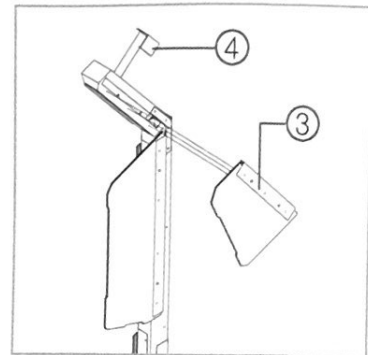
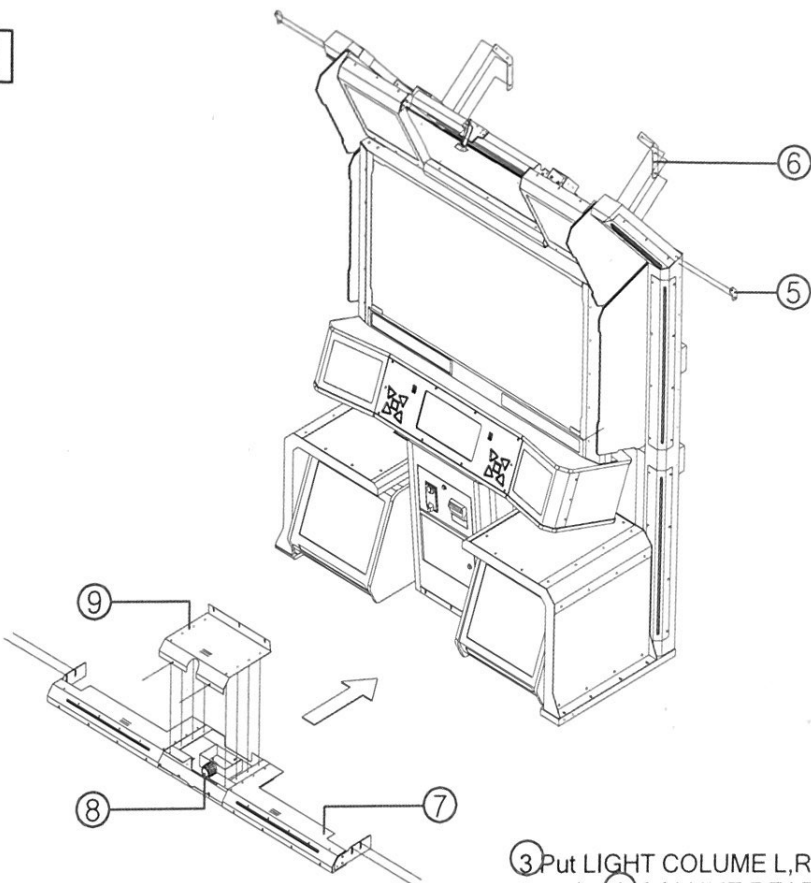
## 2-2.INSTALLATION MANUAL-BILLBOARD & BASE LIGHT DECO

1



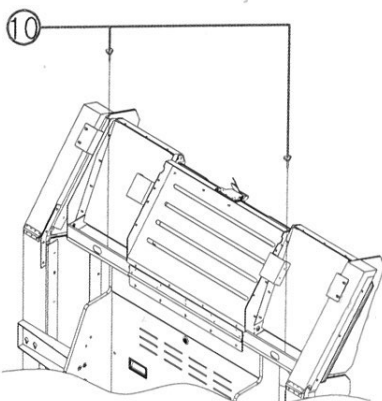
As above picture ① the hinge is folded to ship out,so  
Remove the 4 screws to let the lightbox stand as ②

2



Connect the terminal as ③

3



③ Put LIGHT COLUMN L,R assembled [M4 screws, 3pics],  
then fix ④ COLUME REAR FIX BKT V

⑤ PUT LIGHT COLUMN FOLDING BKT AND ⑥  
LIGHT COLUMN FOLDING LARGE BKT FIXED [M4  
SCREWS, 6 SCREWS EACH ONE]

Then put ⑦ BASE LIGHT DECO ASS' Y fixed on the cabinet [M6 screws,  
4 screws each one]

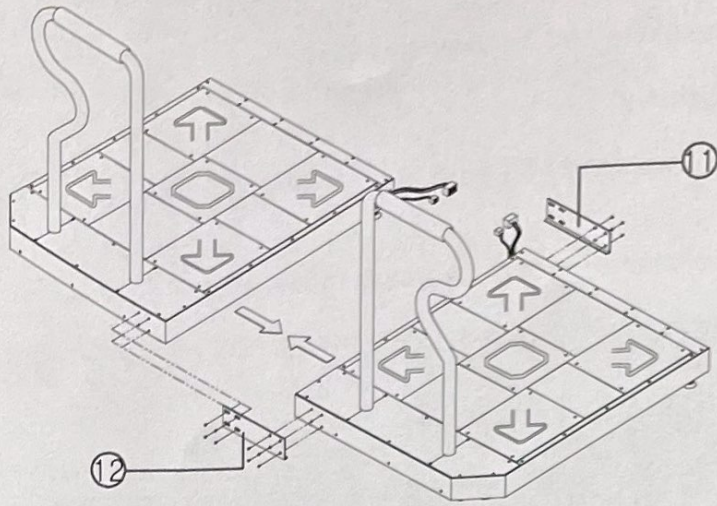
Use ⑧ HARNESS COVER to connect the pedal terminal, then put ⑨  
BASE LIGHT DECO CENTER COVER BKT fixed [M4 screws, 13 screws  
each one]

Finally use ⑩ [M6 screws, 2 screws each one] to assemble the light box  
as picture



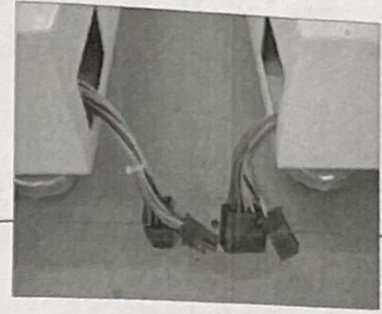
- STEP

4



2P

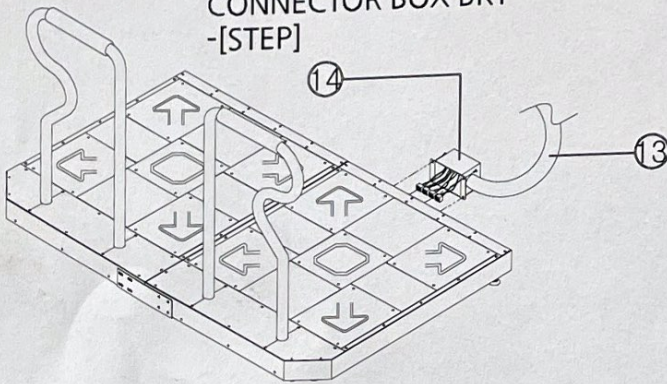
1P



As picture A, connect 1P terminal with 2P terminal from left and right side  
Use M8 screws to fix ⑪ & ⑫ JOINT BRACKET

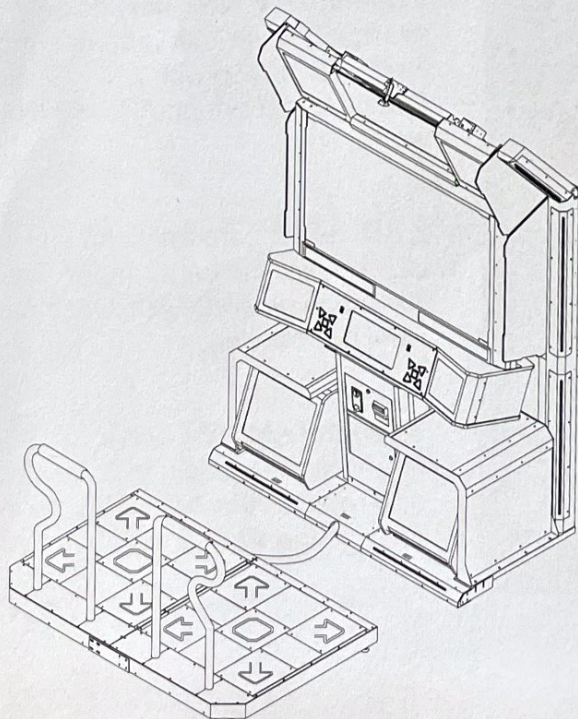
5

CONNECTOR BOX BKT  
-[STEP]



As picture, connect ⑬ FLEXIBLE TUBE terminal with pedal, then connect ⑭ CONNECTOR BOX BRACKET with [STEP] [M6 screws, 4pics each one]

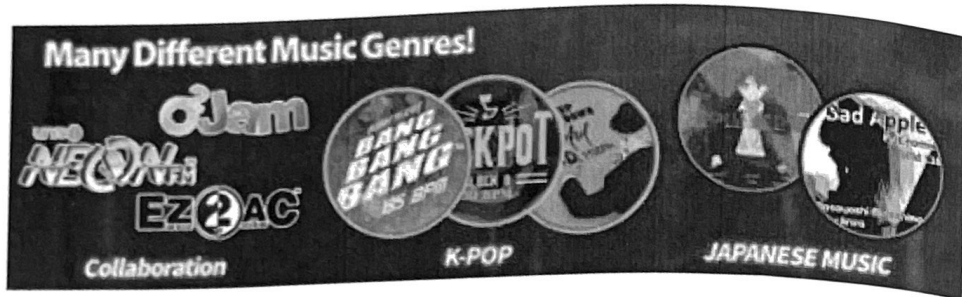
6



Finished as picture ⑥

### 3. PRODUCT FEATURE

- 3-1. To attract the players with classical and fancy appearance and brilliant LED lighting
- 3-2. Enjoy the tempos through the 4 speakers and 2 power amplifier
- 3-3. 55" HD screen to enhance the enjoyment
- 3-4. Card sensor will support logging in via AM.PASS card, no inputting the USB
- 3-5. Collaboration
  - 1. Collect plenty of musics with the collaboration with overseas music games
  - 2. The largest scale and the greatest amount of musics and popular K-POP musics, several well-known composers also participate in



#### 3-6. Update regularly

- 1. Update the music and relevant content via extensive network. Let the players handle it easily
- 2. The largest update is from PRIME 2 2017 to PRIME 2 2018 and the game symbol is also changed. It will attract more players with enhancing the screen quality and large amount of new musics

#### 4. AM.NET SERVICE

**② Continuous Play for Core Players = Higher Income!**

AM.PASS      PIU mobile web

**Continuous Play with AM.pass card!**

AM.pass card can be used immediately after purchase

Song & Step unlock

EXP +  
Extra EXP

Extra Points

1. Use the AM.NET service only on the Internet. Player can manage their information with AM.NET and confirm their information with AM.NET service. They can experience "PUMP IN UP" new world.

2. AM.PASS card only can buy in location which have the card reader. The card only authorize by ANDAMIRO can use the AM.NET service.

3. Use the AM.NET service can get the temporary ID. Login in [www.piugame.com](http://www.piugame.com) and register the AM.PASS card can change the ID and use the other service.

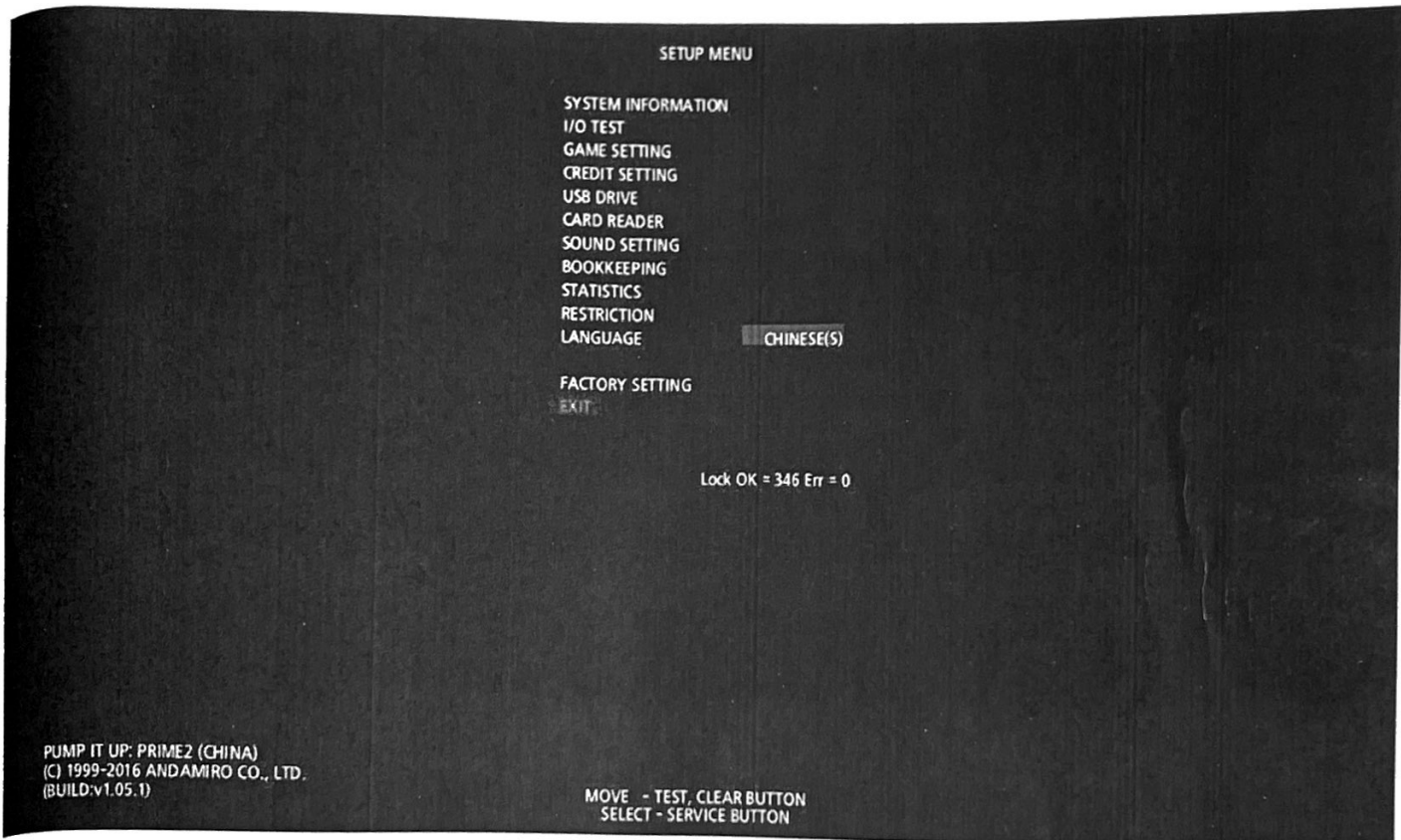
## 5.SETTING LIST

Setting according to separate locations

Set the relative parameters before game and test the hardware,

\*Press SW1 to go into setting list

\*SETTING : TEST: UP , CLEAR: DOWN  
OPTION : SERVICE



System Information: Check the information

I/O TEST :Confirm input and output

GAME SETTING

CREDIT SETTING: 1 coin 1 credit or 1 coin more credit

USB DRIVE

CARD READER

SOUND SETTING

BOOKKEEPING

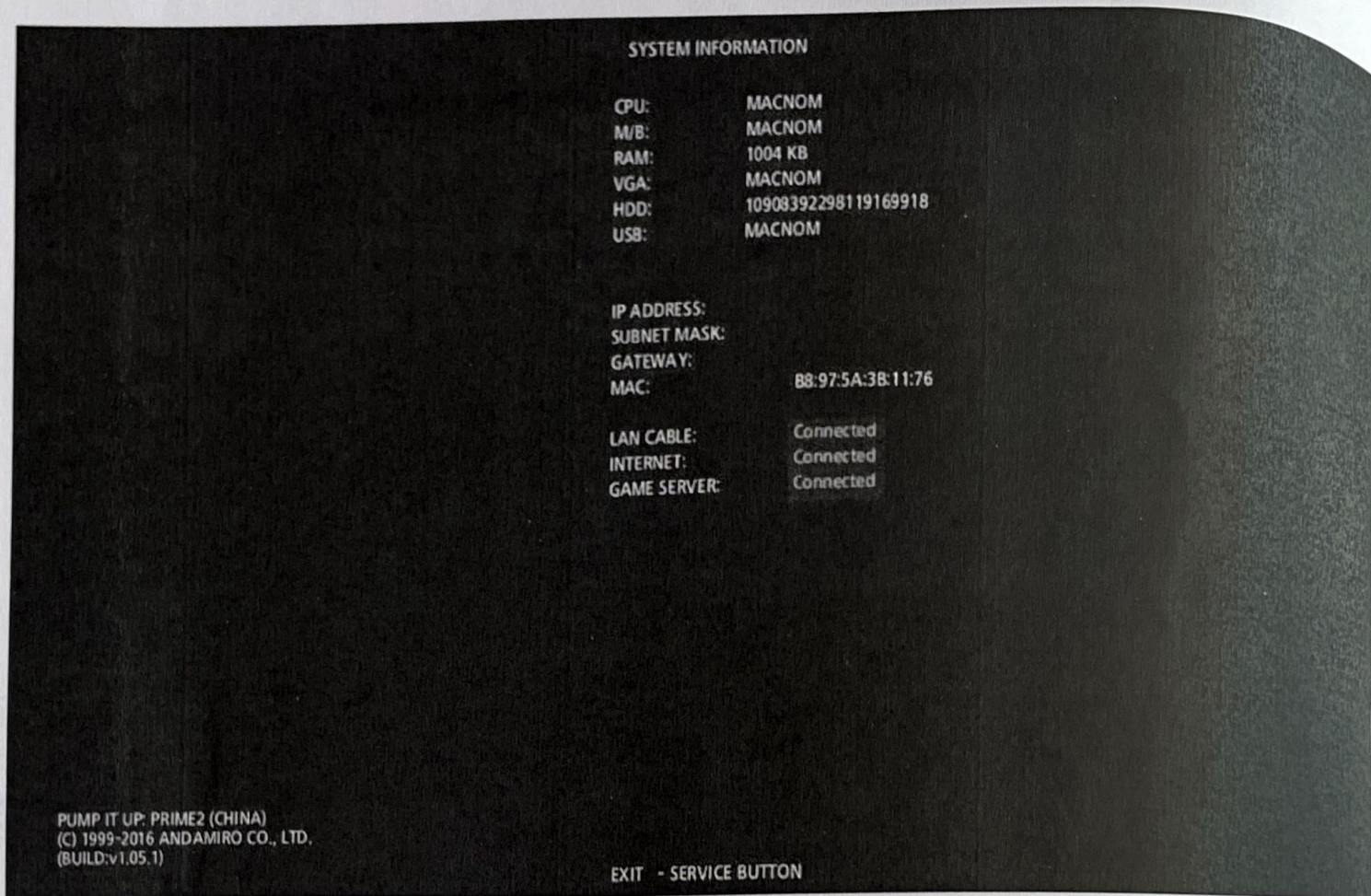
STATISTICS: Popularity level of players

RESTRICTION: Sound setting

FACTORY SETTING

## 5-1.SCREEN

-CHECK SPECIFICATION AND INTERNET



CPU: Check CPU INFORMATION

M/B: CHECK MAINBOARD INFORAMTION

RAM: Check ram INFORMATION

VGA: Check VGA INFORMATION

HDD: Check hdd INFORMATION

USB: Check CPU INFORMATION

IP ADDRESS: Check IP ADDRESS

SUBNET MASK: Check SUBNET MASK

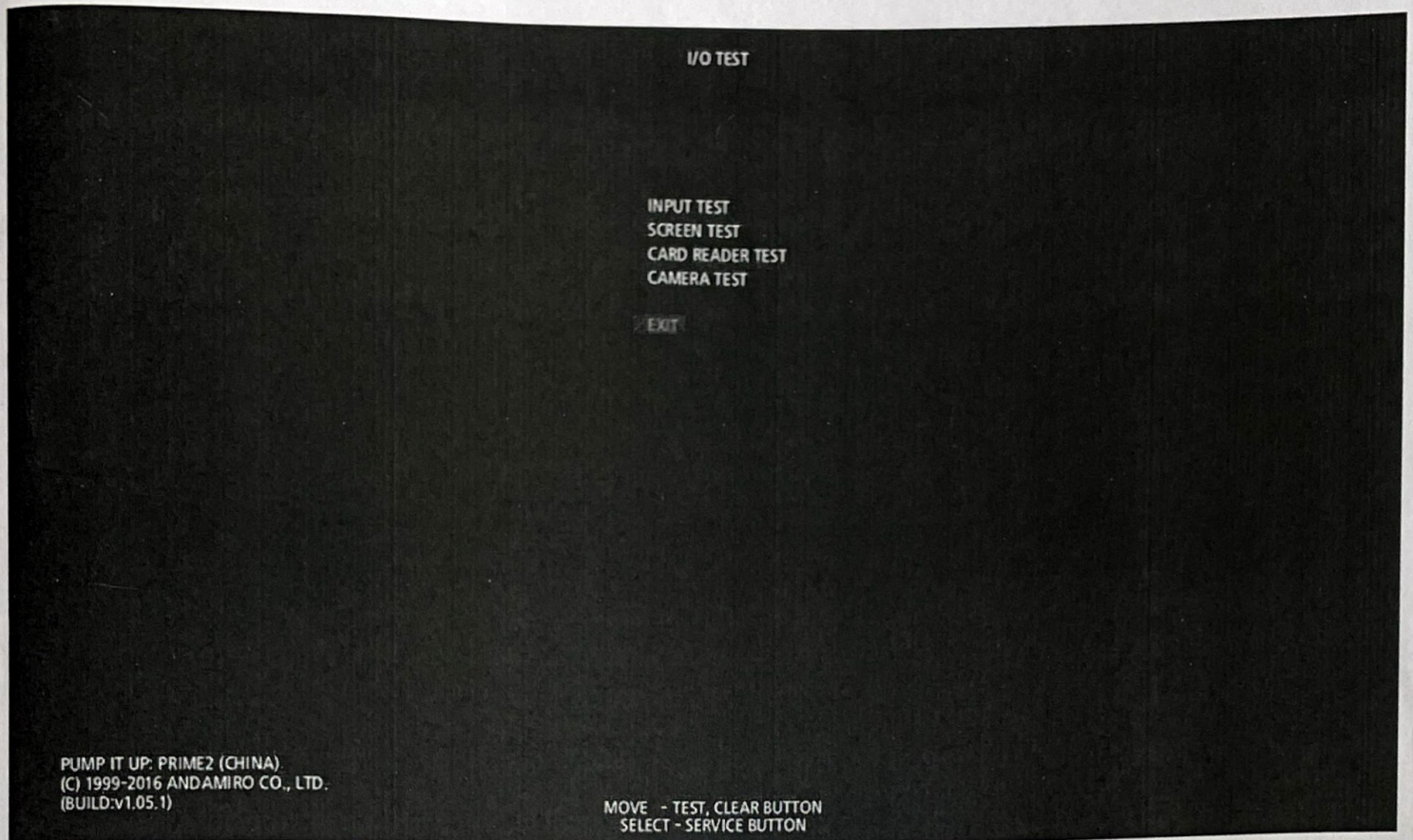
GATE WAY: Check gateway information

LAN CABLE: Check Network situation

SERVER: Check the server link situation

## 5-2.OPTIONS

-Check all the keys and padel sensors, coin slots, screen, card reader and camera



INPUT TEST : Check coin selector,button,pedal sensor

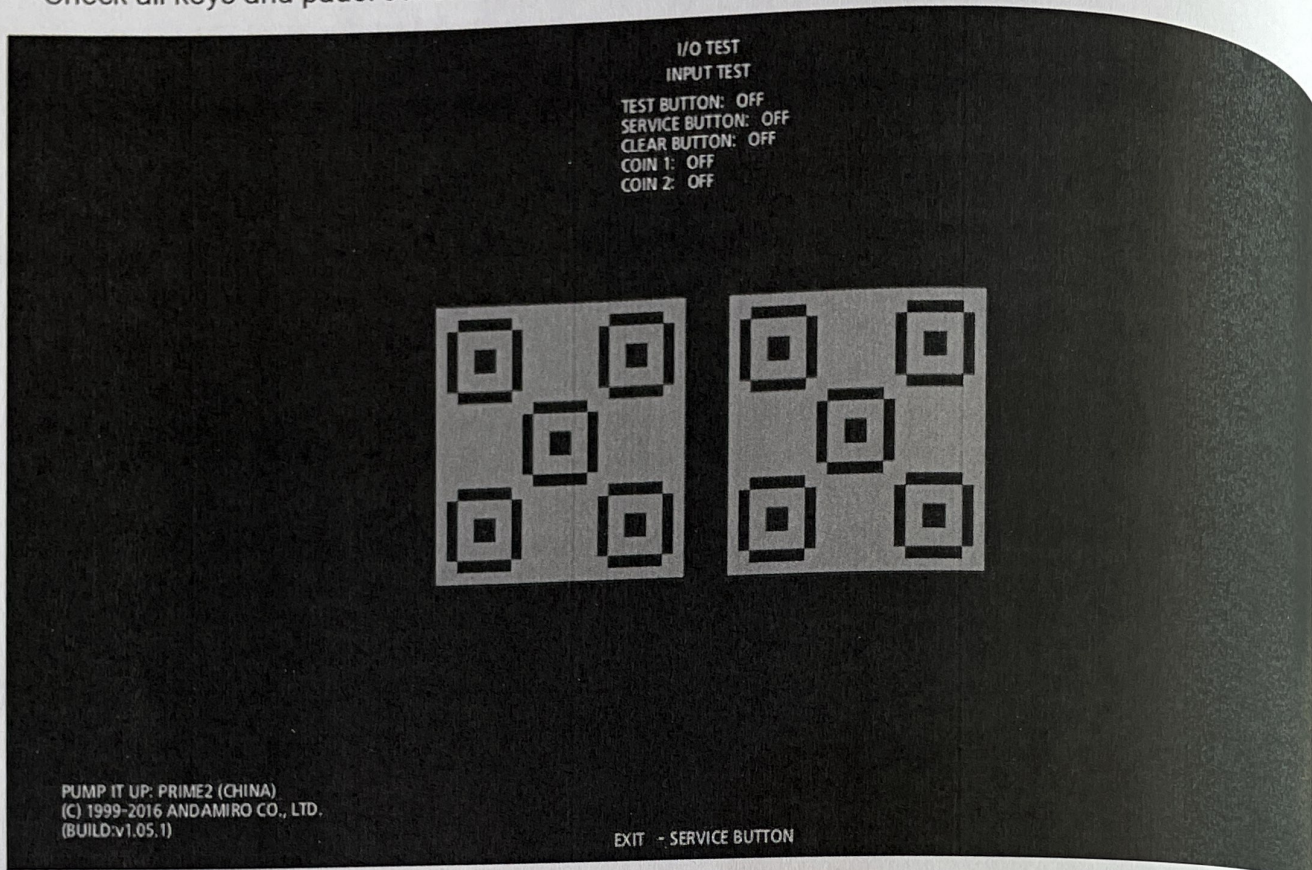
SCREEN TEST : Check monitor color display status and poor pixels.

CARD READER TEST : Check the card reader connection status and read card status

CAMERA TEST : Detect the state of the video camera recording.

[ INPUT TEST ]

-Check all keys and padel sensors



TEST BUTTON: OFF turn to ON when you press the button

SERVCE BUTTON: OFF turn to ON when you press the button

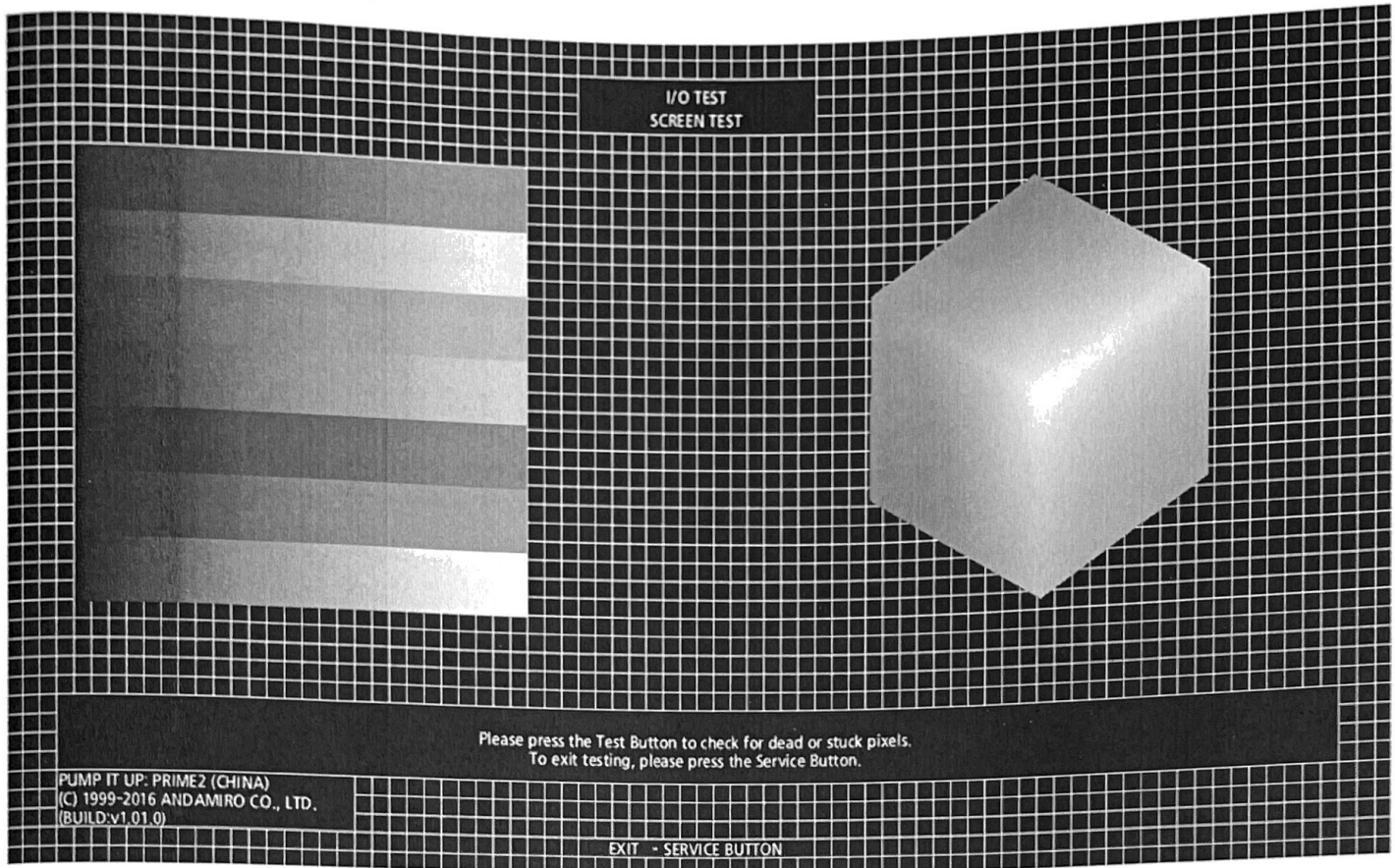
CLEAR BUTTIN: OFF turn to ON when you press the button

COIN1 : OFF turn to ON when you insert coin







COIN2 : OFF turn to ON when you insert coin

# [ SCREEN TEST ]

-Check screen color status



-Press TEST to check the following items

	Monitor test image
	Full red color of monitor
	Full green color of monitor
	Full blue color of monitor
	Full white color of monitor
	Full black color of monitor

[ CARD READER TEST ]

-Check the card reader status

I/O TEST  
CARD READER TEST

FIRST CARD READER: Not Connected  
SECOND CARD READER: Connected

PUMP IT UP: PRIME2 (CHINA)  
(C) 1999-2016 ANDAMIRO CO., LTD.  
(BUILD:v1.05.1)

EXIT - SERVICE BUTTON

Not Connected: Machine not link with card

Connected :Machine link with card reader



[ CAMERA TEST ]

-Check the filmed picture quality

I/O TEST  
CAMERA TEST

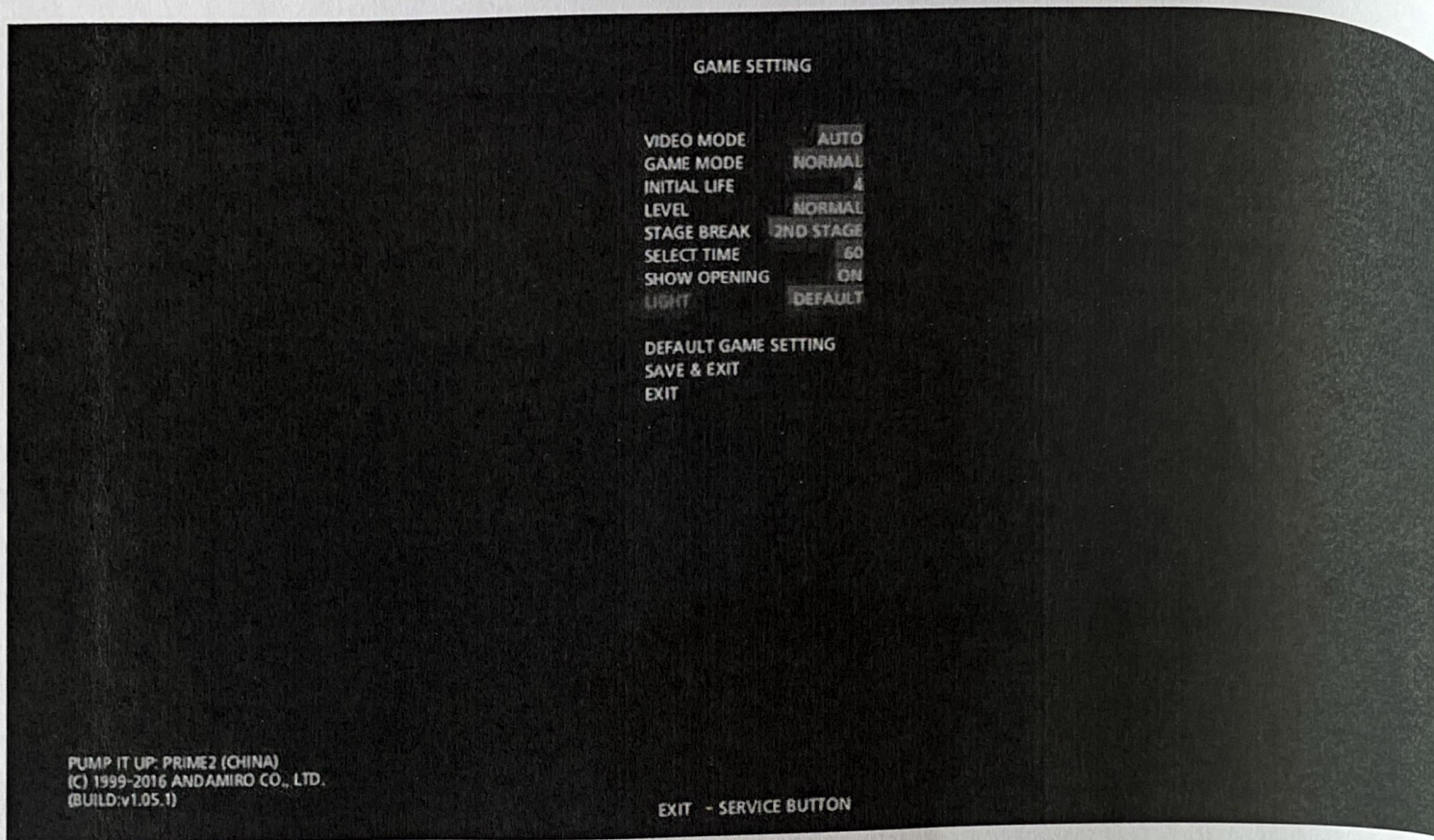


PUMP IT UP: PRIME2 (CHINA)  
(C) 1999-2016 ANDAMIRO CO., LTD.  
(BUILD:v1.05.1)

EXIT - SERVICE BUTTON

## 5-3.GAME SETTINGS

- Set the game parameters



VIDEO MODE: Adjust the sharpness of the picture.

GAME MODE: Adjust the game mode

INITIAL LIFE: Adjust the INITIAL LIFE

LEVEL : Adjust the game difficulty

STAGE BREAK : Adjust STAGE BREAK

SELECT TIME: Adjust SELECT TIME

SHOW OPENING : Adjust SHOW OPENING

-LIGHT : Change the main lighting color

DEFAULT -Condition : Upper light box light(red),middle speaker light(yellow), (blue)

RAINBOW -Condition : Change the color of Top Middle Bottom

RED -Condition: Top Middle Bottom RED

YELLOW -Condition:Top Middle Bottom YELLOW

BLUE -Condition: Top Middle Bottom BLUE

WHITE -Condition: Top Middle Bottom WHITE

ORANGE -Condition: Top Middle Bottom ORANGE

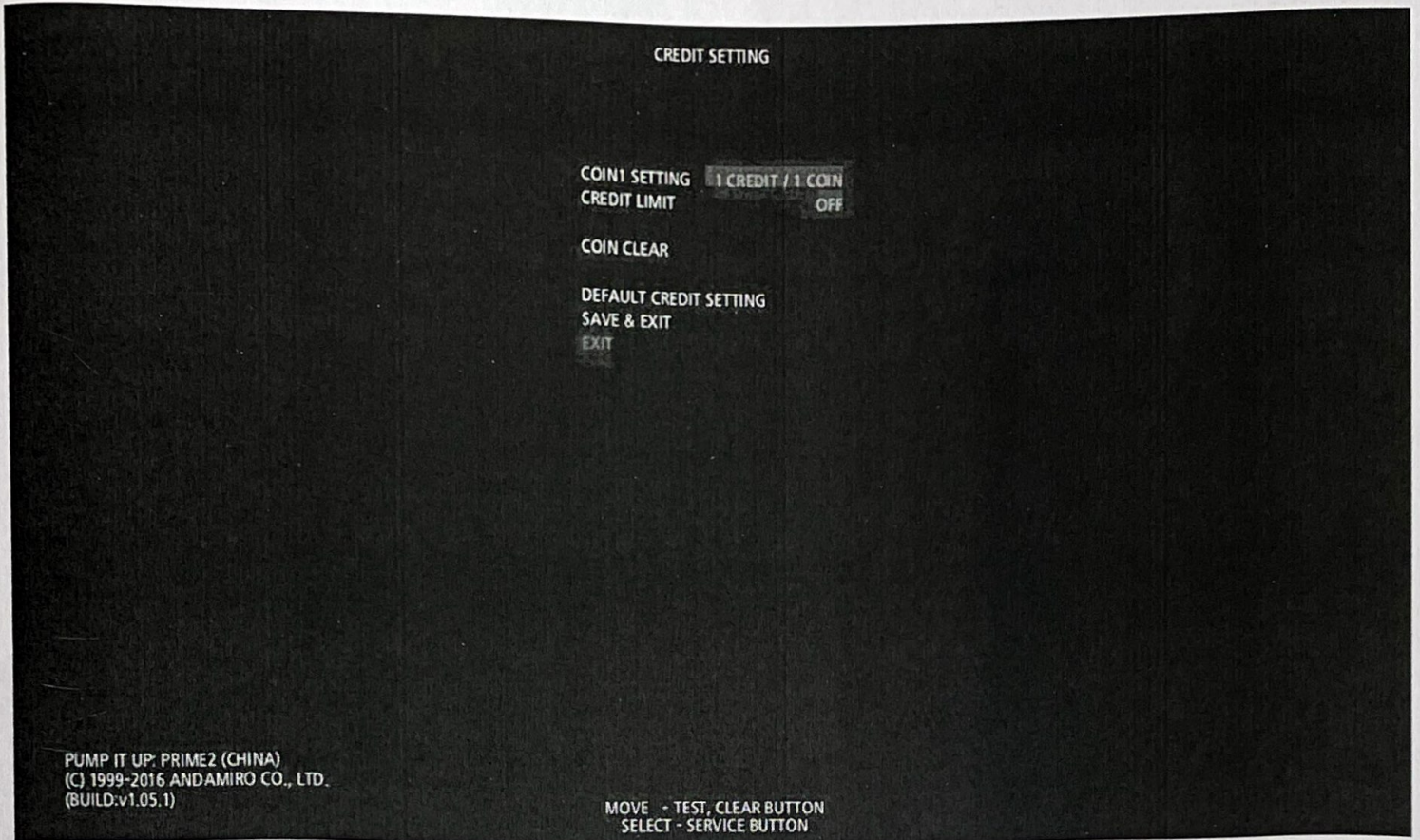
GREEN -Condition: Top Middle Bottom GREEN

GREEN -状态Condition: Top Middle Bottom GREEN

-DEFAULT GAME SETTING

-SAVE AND EXIT

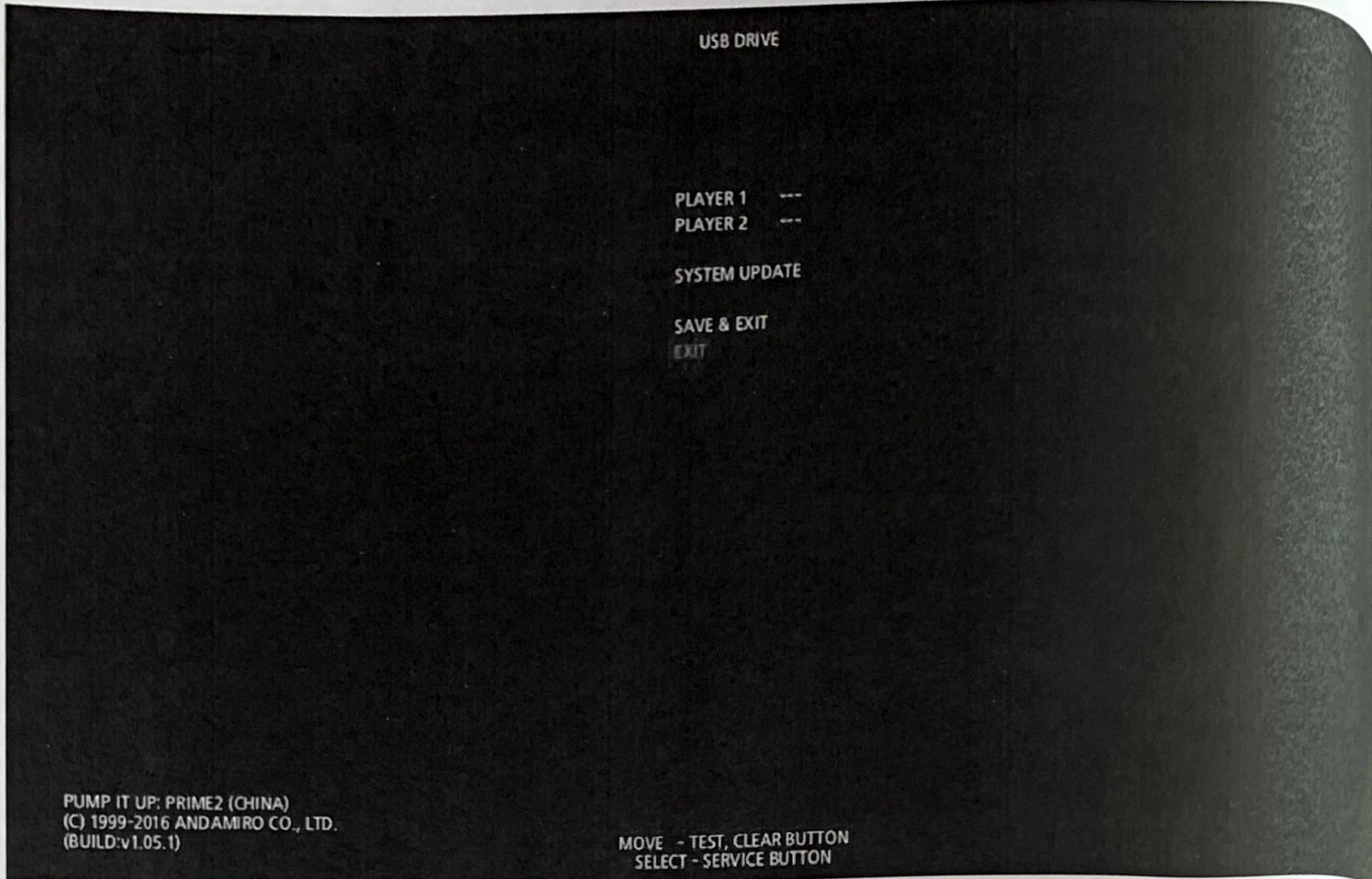
5-4.GAME CREDIT



COIN1 SETTING  
CREDIT LIMIT  
COIN CLEAR  
DEFAULT CREDIT SETTING  
SAVE & EXIT

## 5-5. USB DRIVER

-USB SETTING AND SYSTEM UPDATE



PLAYER 1 : Setting PLAYER 1 USB

PLAYER 2 : Setting PLAYER 2 USB

Activate USB as follow

- 1.input USB on the lofet side port
- 2.enter USB DRIVE and press TEST button  
on item PLAYER 1
- 3.pull out USB and input the right side port.
4. press TEST button on item  
PLAYER 2
- 5.save and exit

## 5-6. CARD READER

### -READER SETTING

#### CARD READER

CARD READER PLAYER 1 ---  
CARD READER PLAYER 2 ---  
SAVE & EXIT  
EXIT

PUMP IT UP: PRIME2 (CHINA)  
(C) 1999-2016 ANDAMIRO CO., LTD.  
(BUILD:v1.05.1)

MOVE - TEST, CLEAR BUTTON  
SELECT - SERVICE BUTTON

CARD READER PLAYER 1 Setting PLAYER 1 card

CARD READER PLAYER 2 Setting PLAYER 2 card

SAVE & EXIT

[Card reader Player 1, Card reader Playr2]

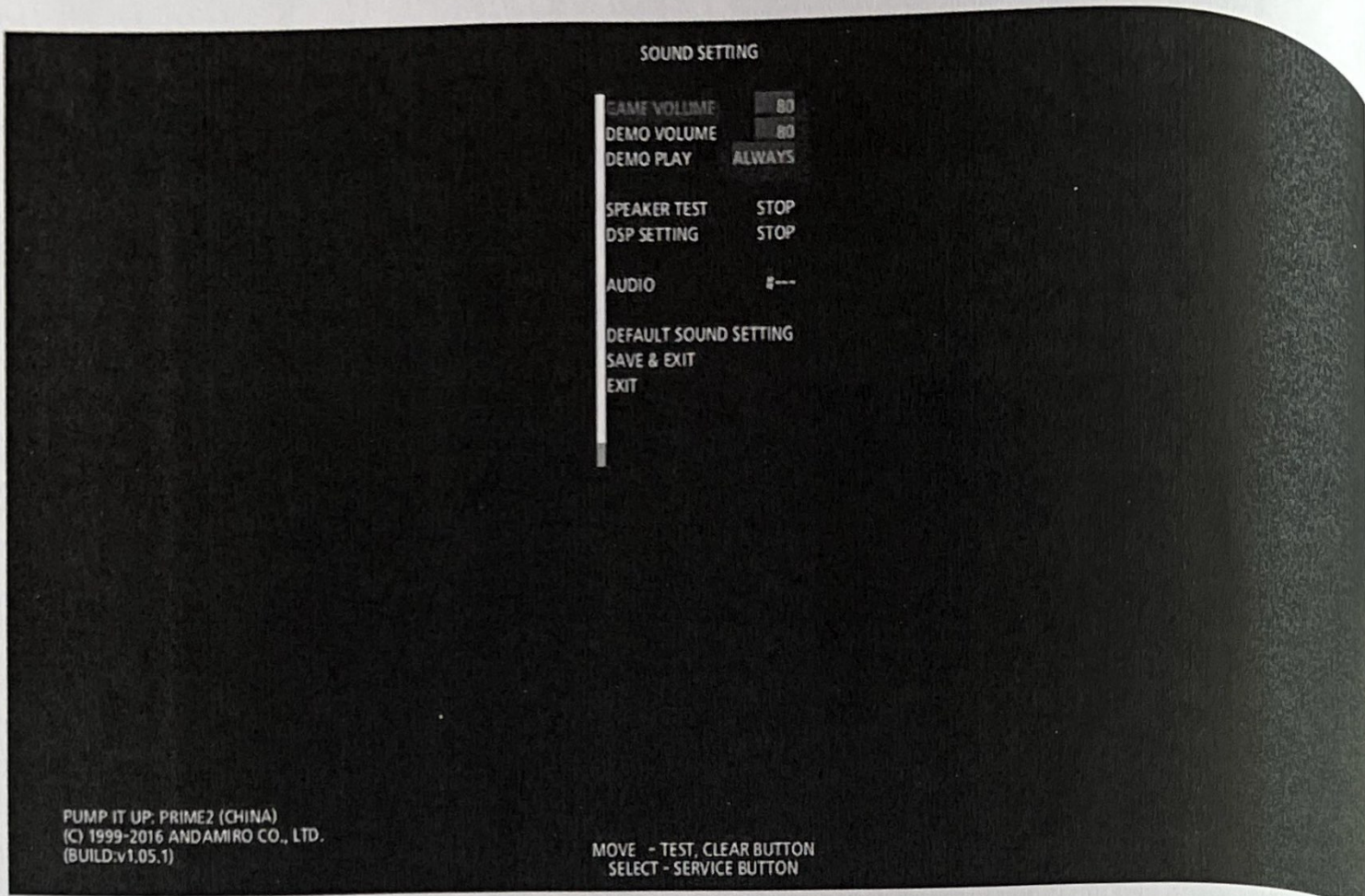
Activate the card reader and read the information

Please activate the card as followings,


- 1.Choose the CARD READER PLAYER 1 on the list of CARD READER
- 2.Put the AM.PASS card on the front left card reader
- 3.Press TEST in the option CARD READER PLAYER 1
- 4.Choose the CARD READER PLAYER 2 on the list of CARD READER
- 5.Put the AM.PASS card on the front right card reader
- 6.Press TEST in the option CARD READER PLAYER 2
- 7.Save and exit

Note: Different products have different card reader or have no card reader

## 5-7.SOUND SETTINGS



GAME VOLUME: Adjust GAME VOLUME  
DEMO VOLUME: Adjust DEMO VOLUME  
DEMO PLAY: Adjust DEMO PLAY  
SPEAKER TEST: SPEAKER TEST  
DSP SETTING :Set the tuning horn output.


\*1.Set the DSP Switch on (UP) 

2.Setup menu, go into sound setting

3.Set game sound as 80

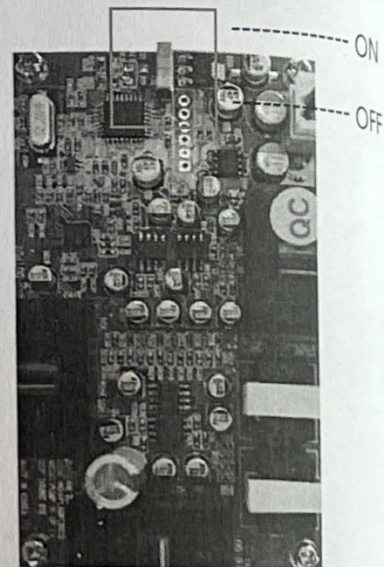
4.Do DSP setting

5.Please wait the humming sound shutting down, about 20 seconds

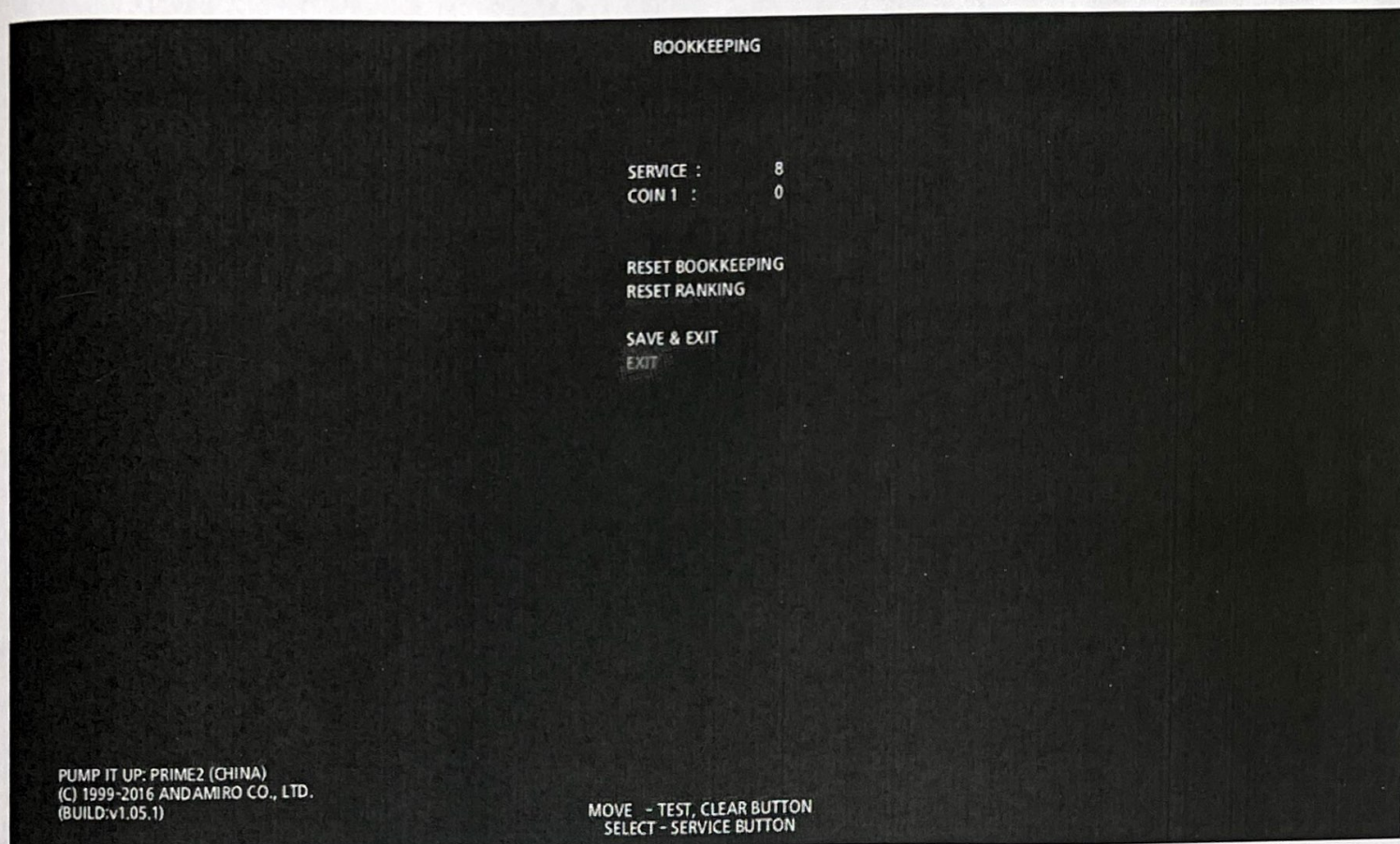
6.Set the DSP Switch OFF (DOWN) 

7.After DSP setting, please adjust the game sound(value 90 is suggested)

AUDIO  
DEFAULT SOUND SETTING  
SAVE & EXIT



## 5-8.BOOKKEEPING



SERVICE: PLAY TIMES STATISTICS

COIN 1: INSERT COIN STATISTICS

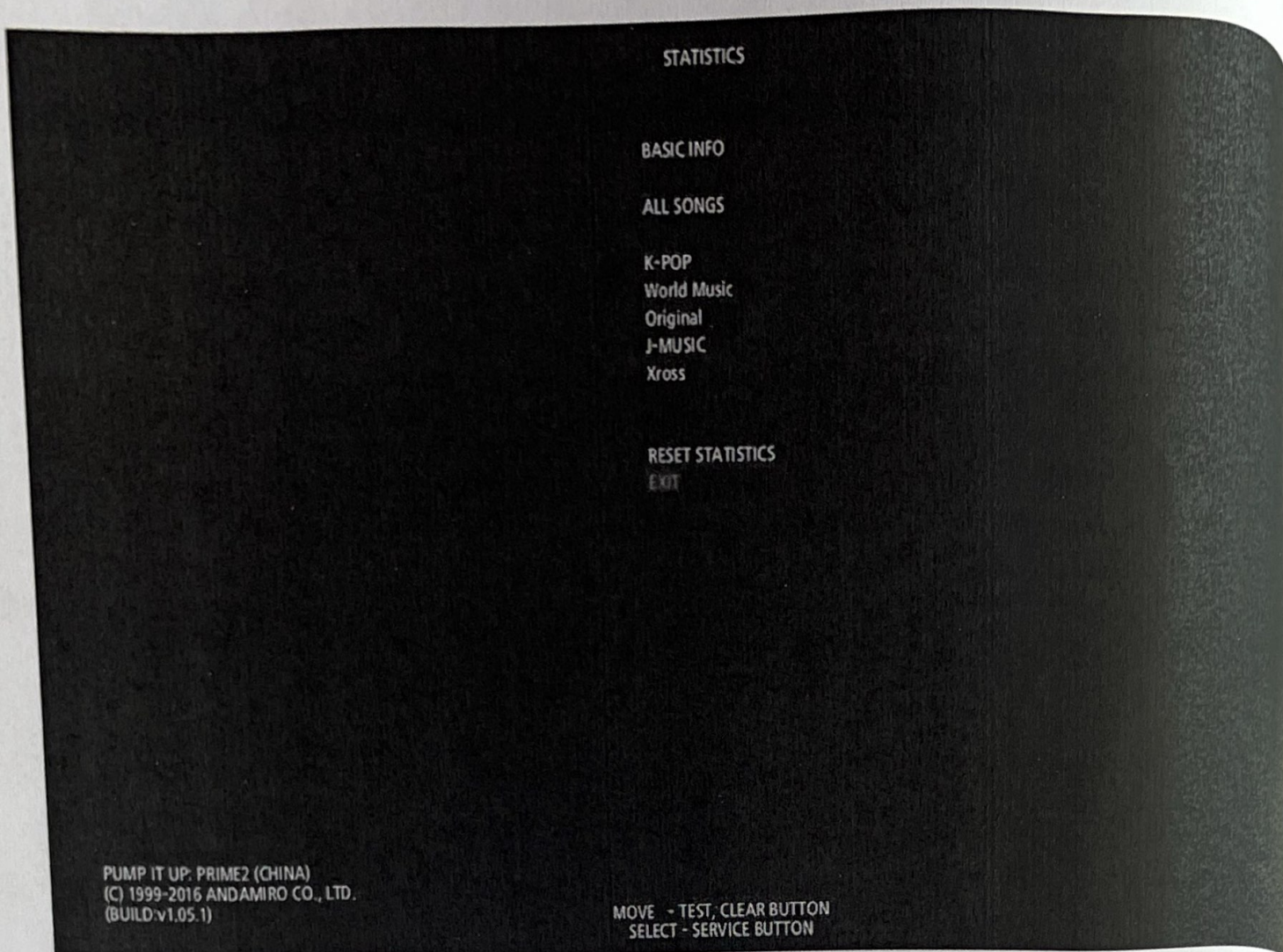
RESET BOOKKEEPING: RESET PLAY TIMES & INSERT COIN STATISTICS

RESET RANKING

SAVE & EXIT

## 5-9.STATISTICS

-Check game time, game credits, popular songs and usual version



BASIC INFO: check game time and machine running time.

ALL SONGS: Check ALL SONGS popularity value

K- POP: Check K-POP popularity value

WORLD MUSIC: Check world music popularity value

PIU ORIGINAL: Check WORLD MUSIC popularity value

J-MUSUC: Check J-MUSIC popularity value

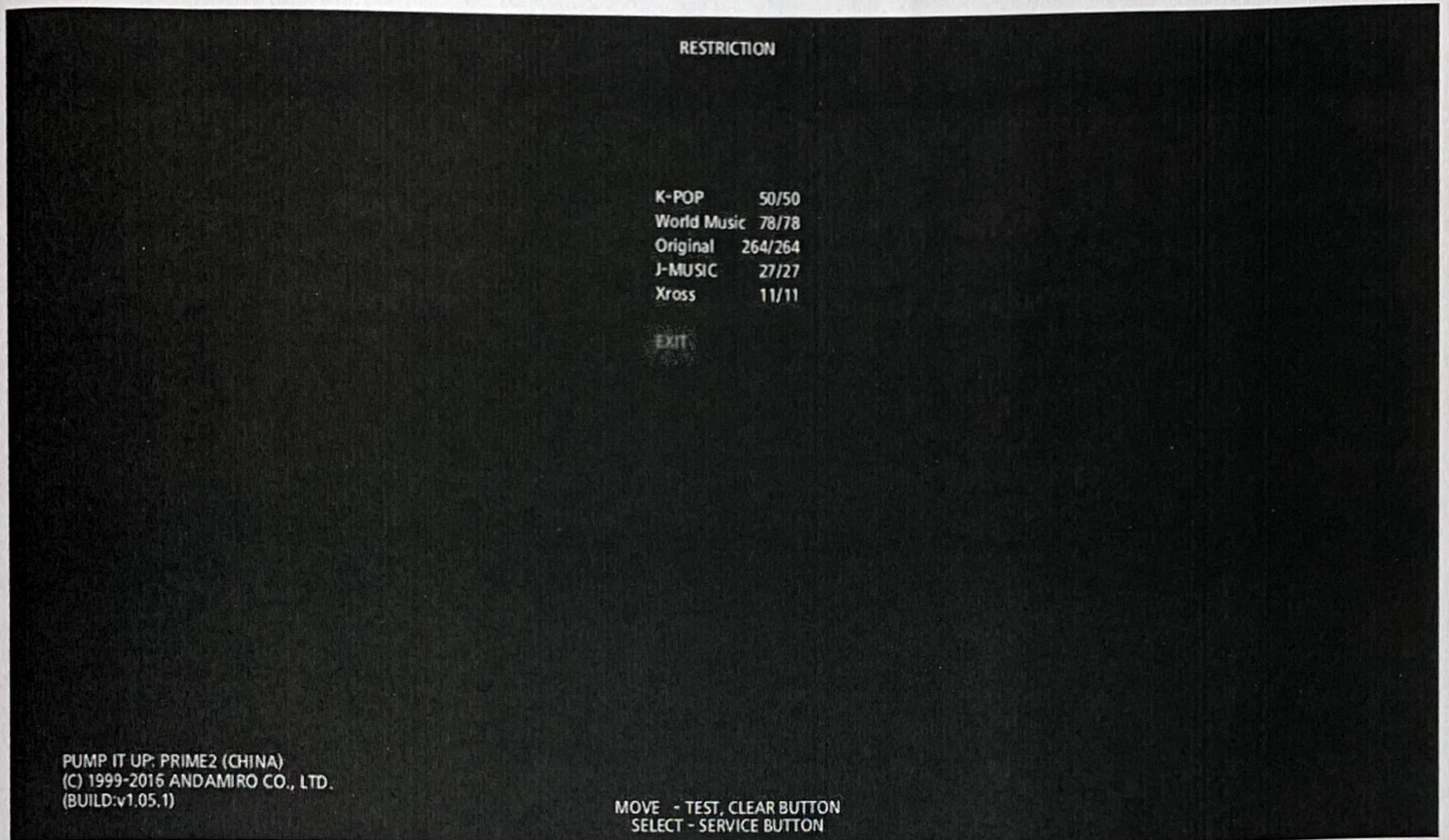
Xross: Check XROSS popularity value。

RESET STATISTICS



## 5-10.RESTRICTION

Restrict the songs to terminate the game



K-POP: Forbid play game in K-POP

WORLD MUSIC: Forbid play game in World music

PIU ORIGINAL: Forbid play game in PIU Original

J-MUSIC :Forbid play game in J-music

Xross :Forbid play game in xross

## 5-11.RESTORE FACTORY SETTING

Please take it seriously, or all the data will be initialized.

FACTORY SETTING

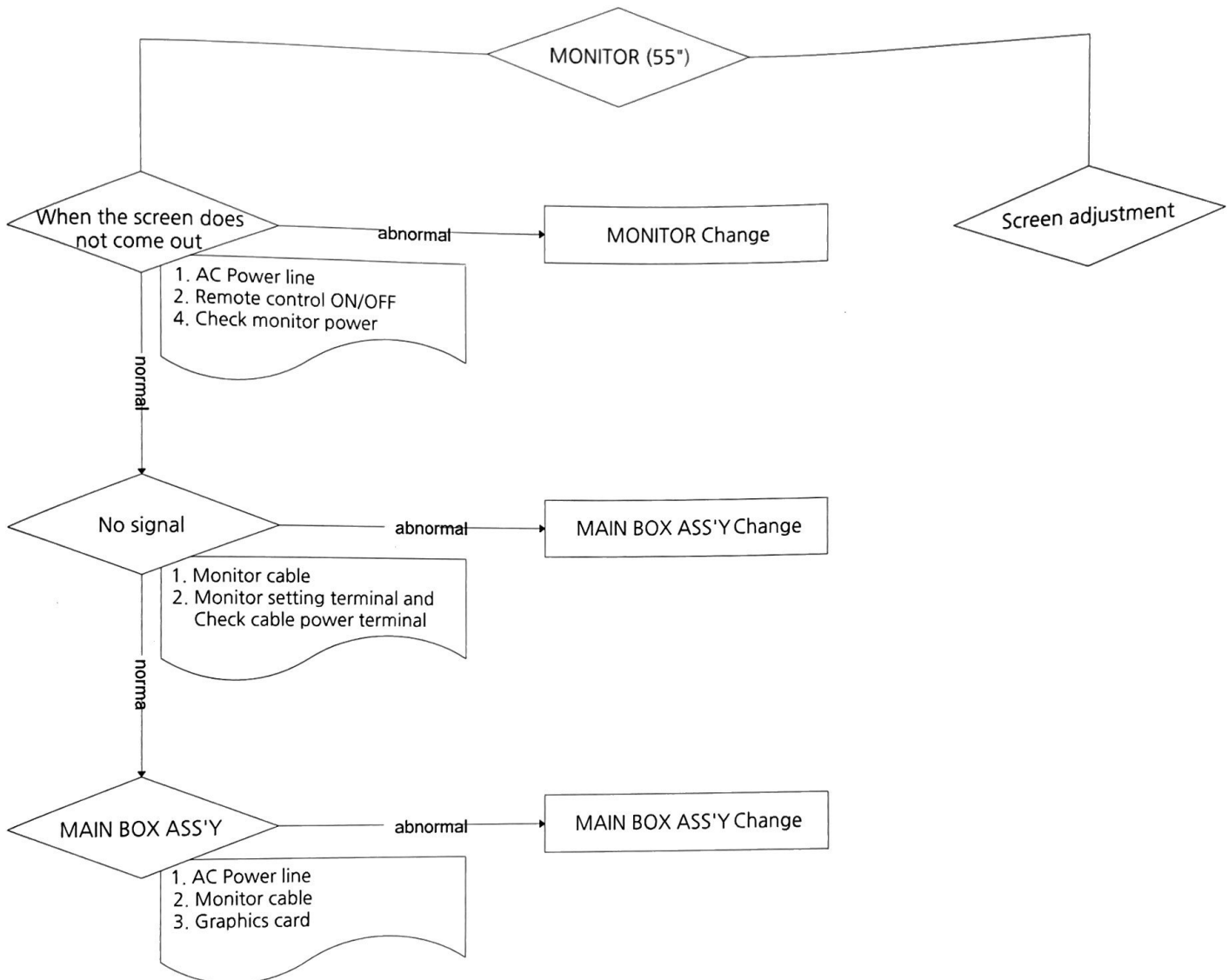
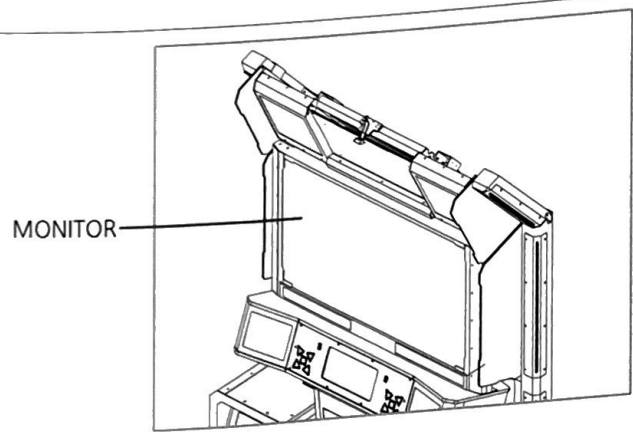
NO  
YES

PUMP IT UP: PRIME2 (CHINA)  
(C) 1999-2016 ANDAMIRO CO., LTD.  
(BUILD:v1.05.1)

MOVE - TEST, CLEAR BUTTON  
SELECT - SERVICE BUTTON

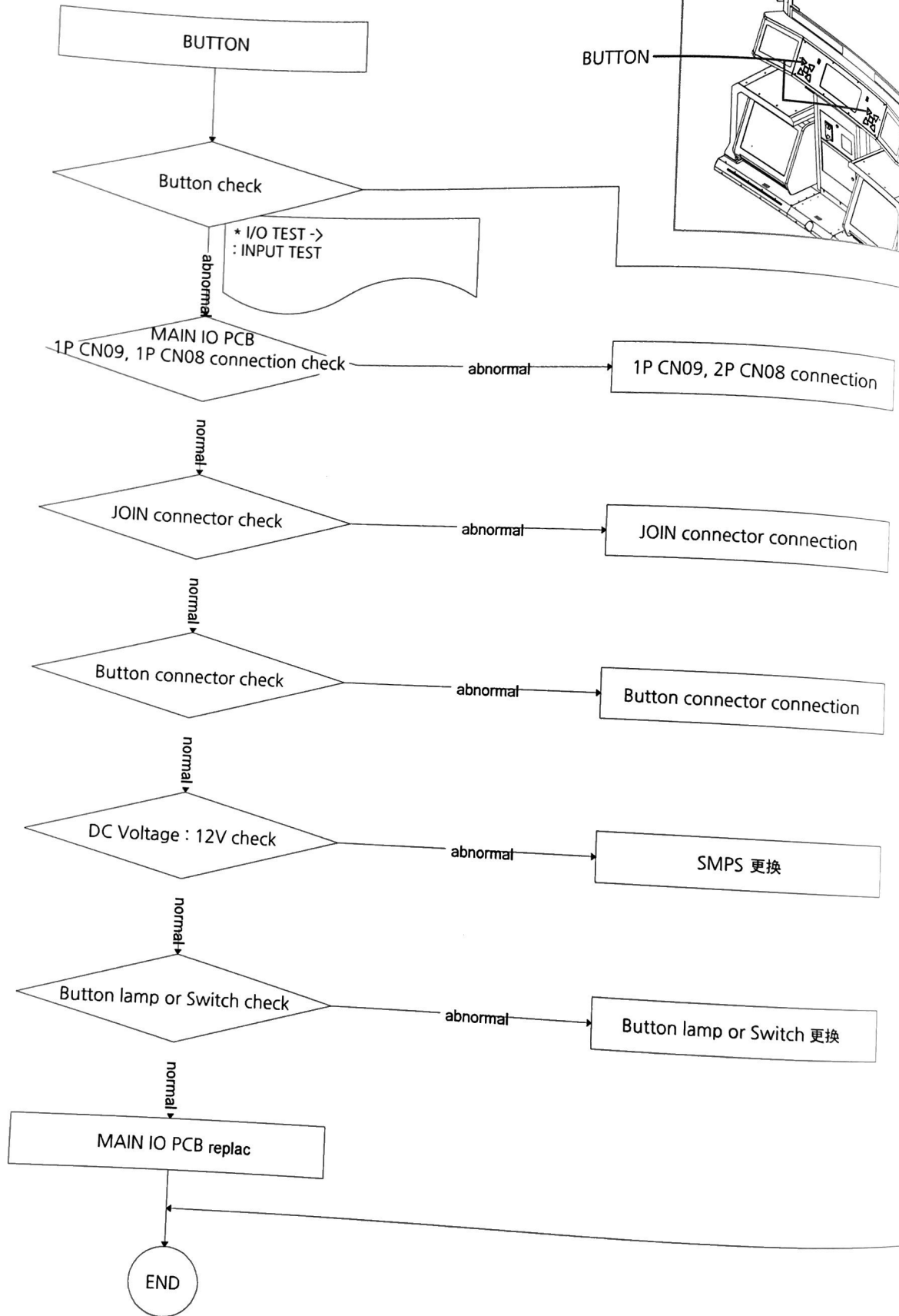
## 6. TROUBLE SHOOTING

### 6-1. MONITOR

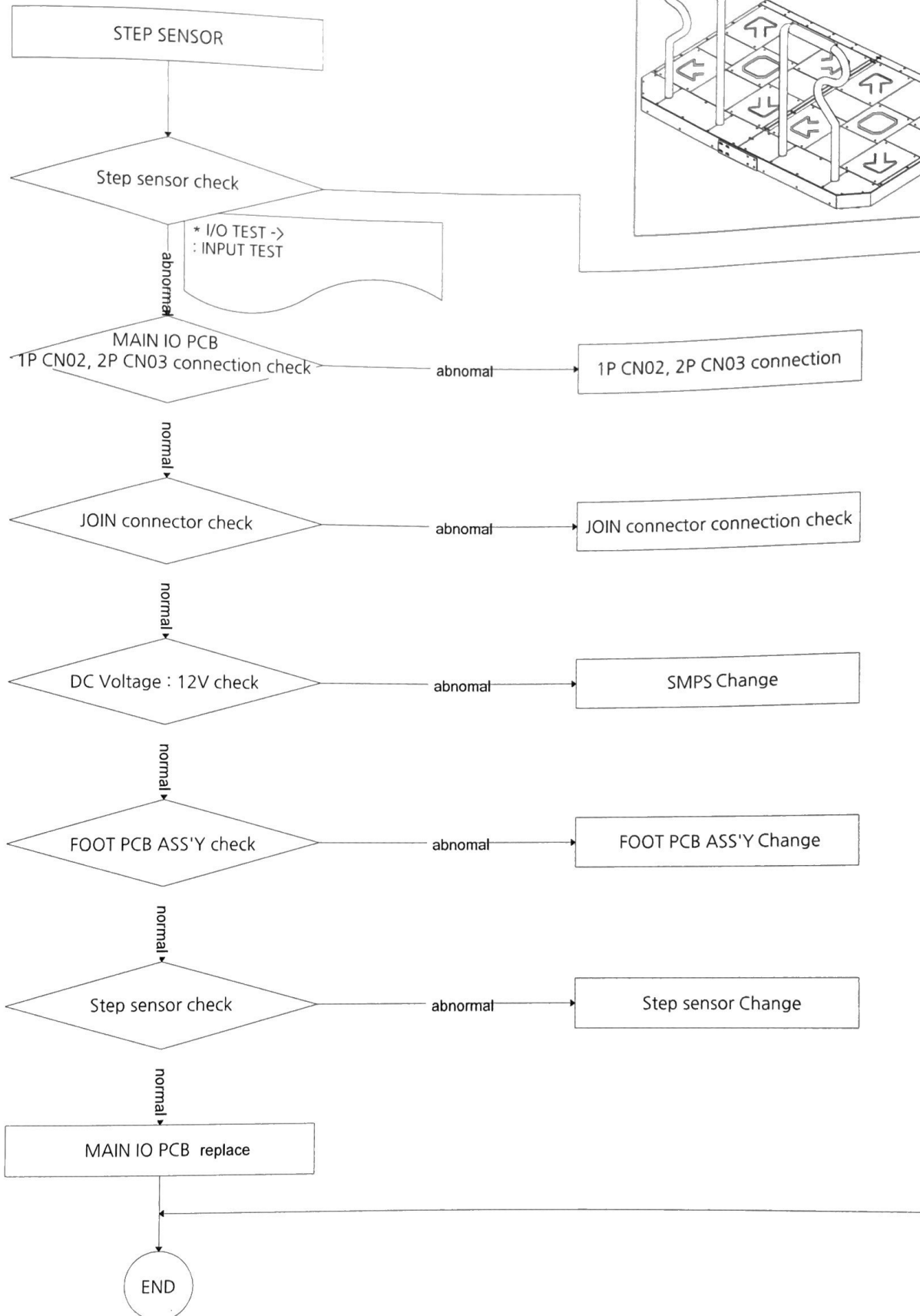


Please check the input voltage and conn...

## 6-2. BUTTON

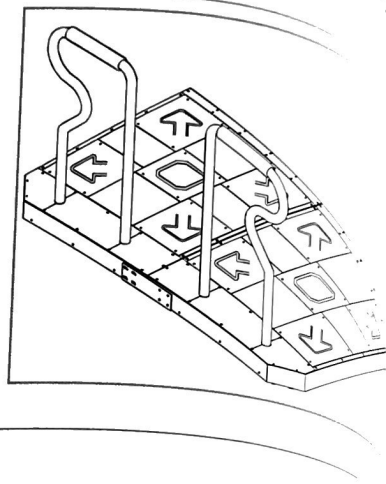
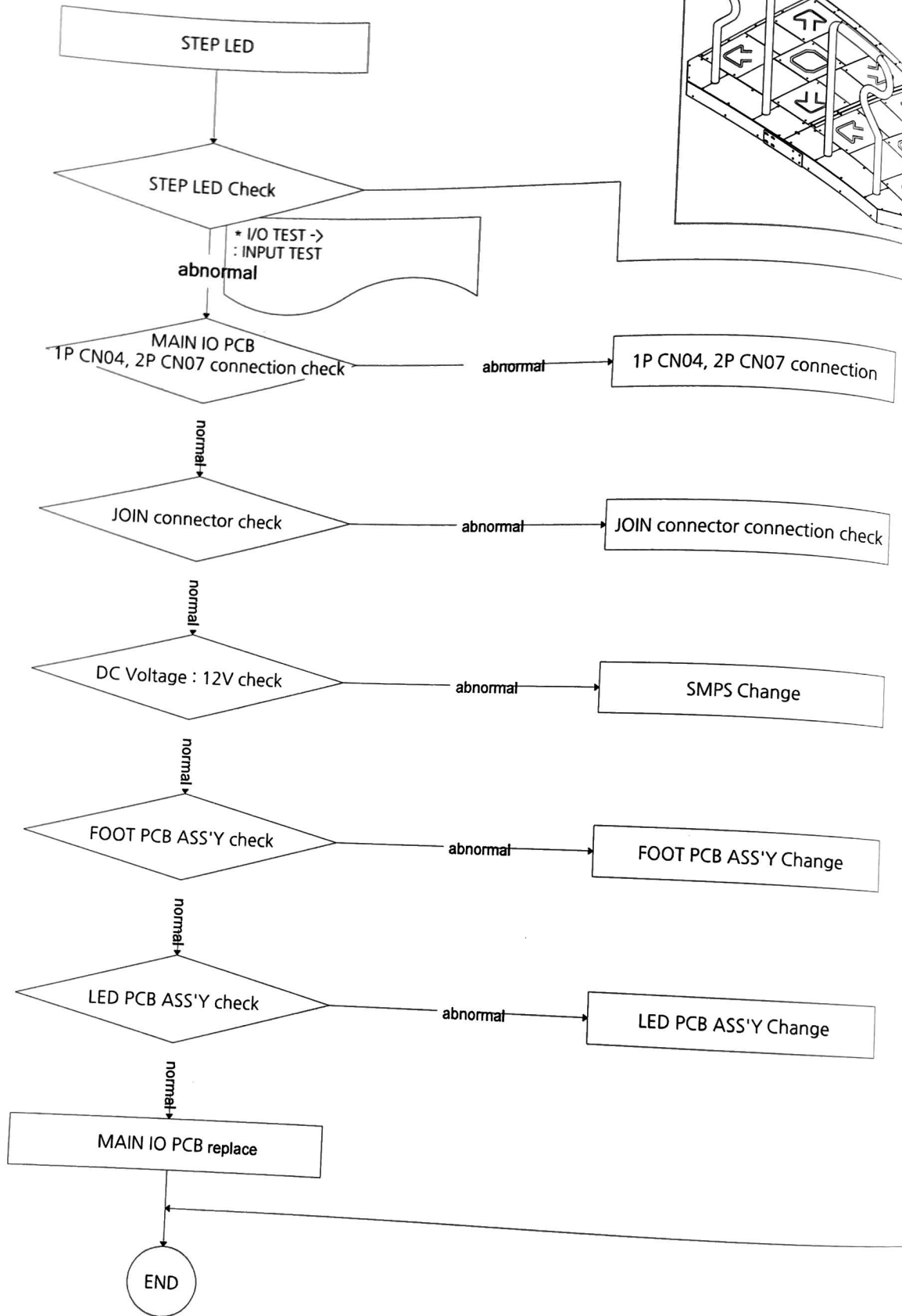


### 6-3. STEP SENSOR

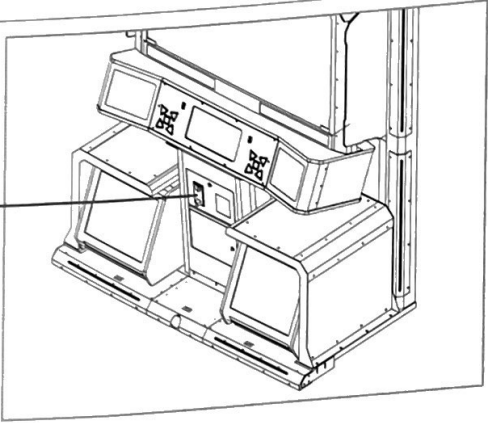
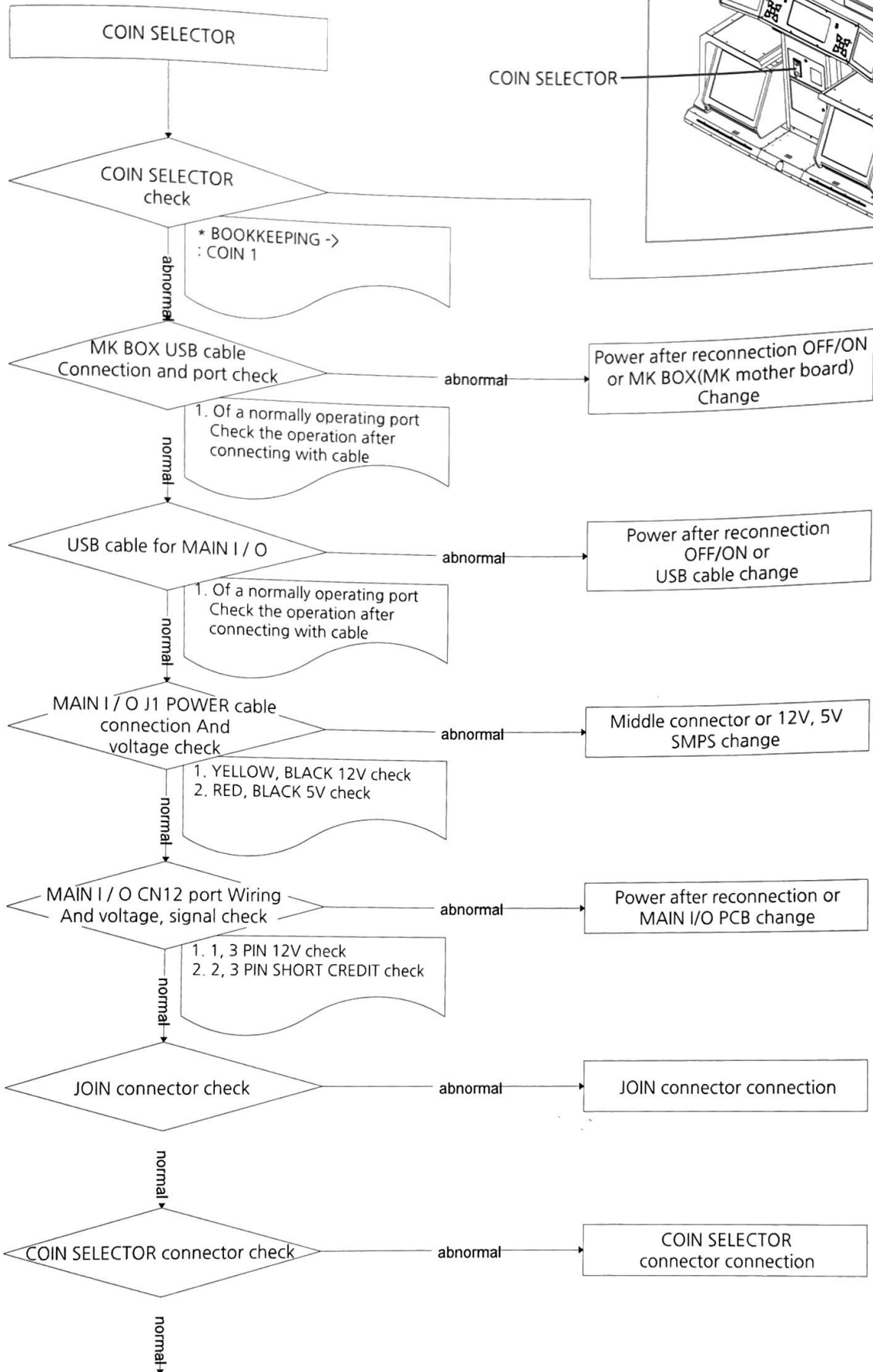


Please check the input voltage and cons.

### 6-4. STEP LED



## 6-5. COIN SELECTOR

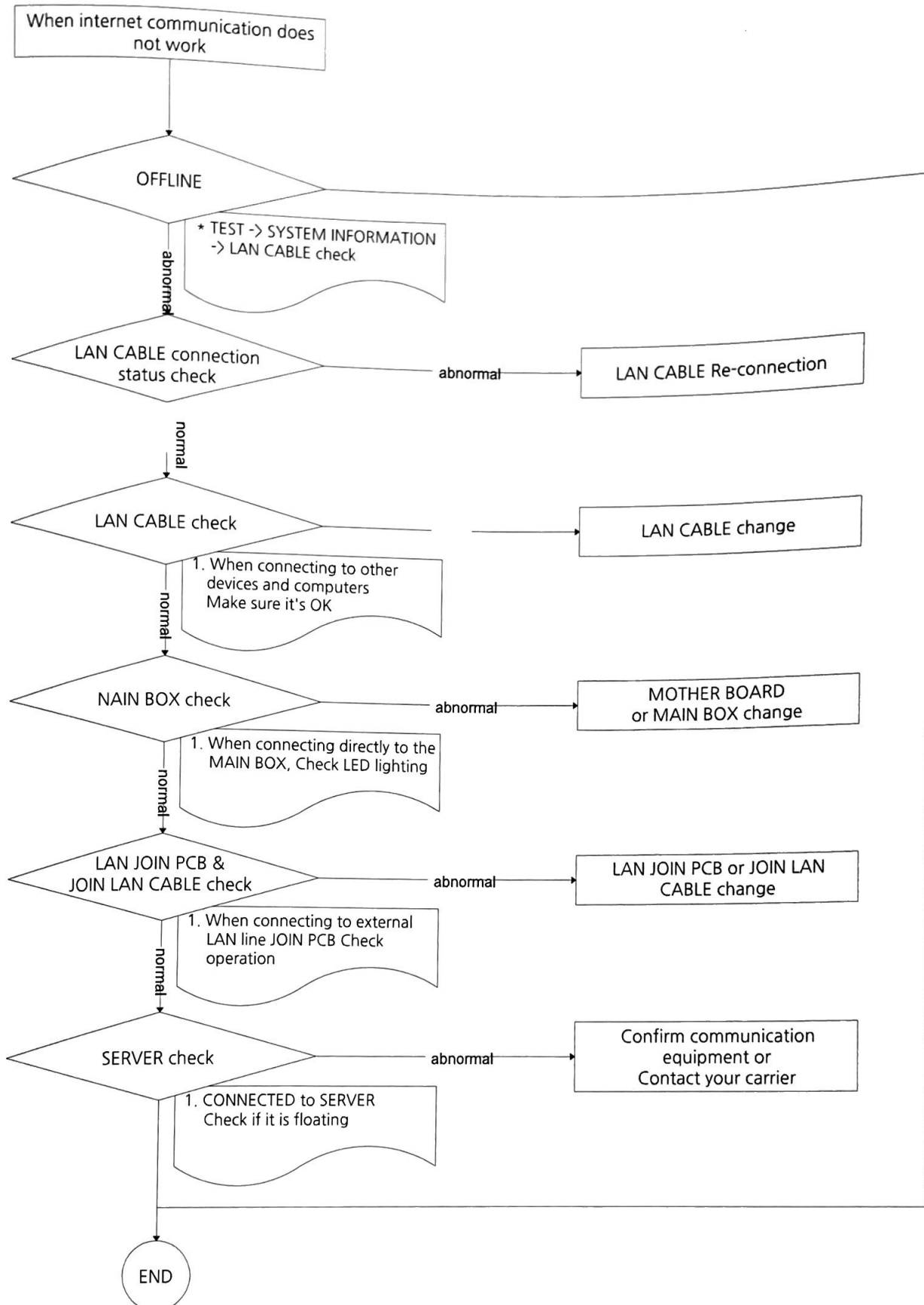


COIN SELECTOR change

END



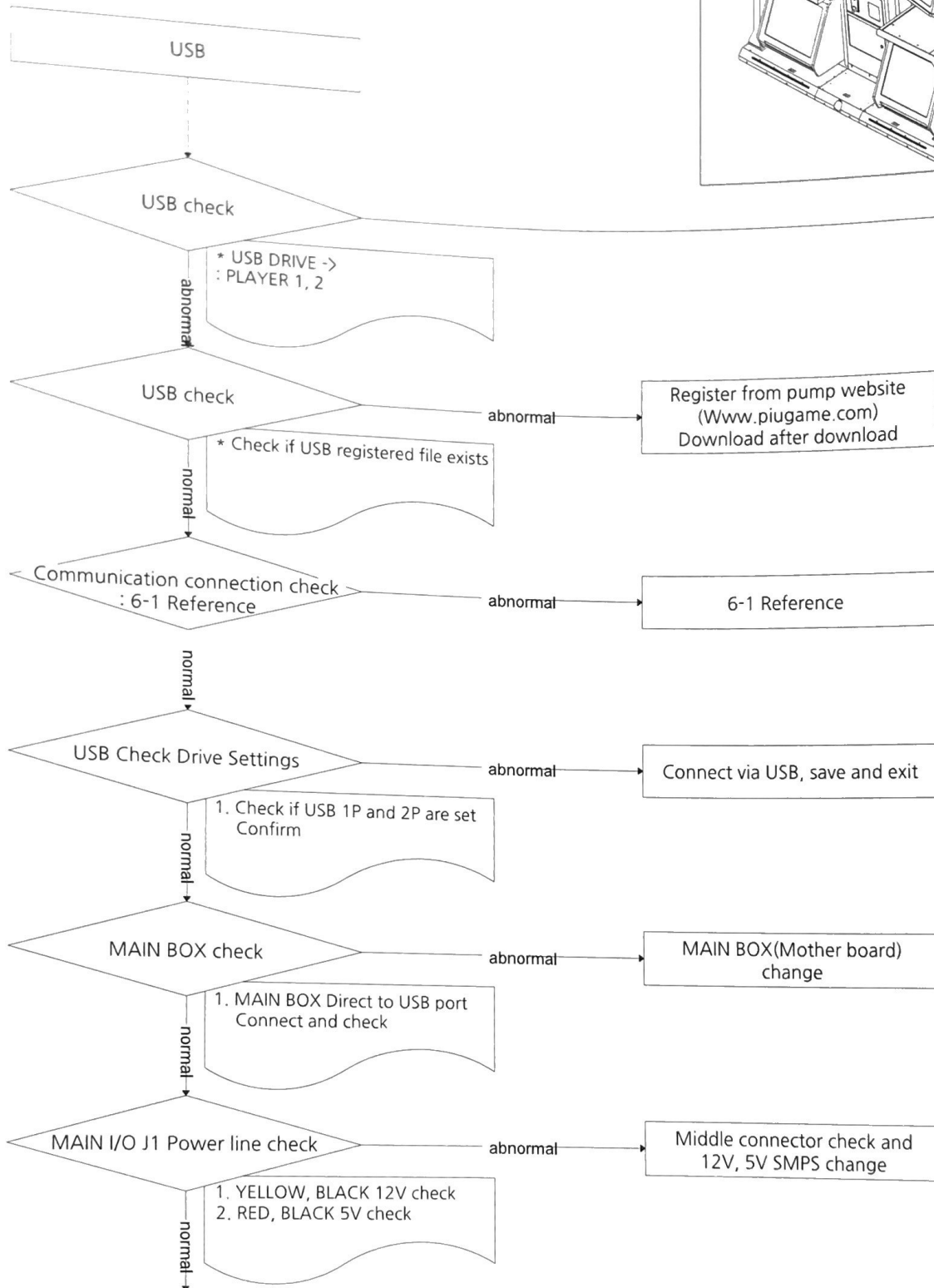
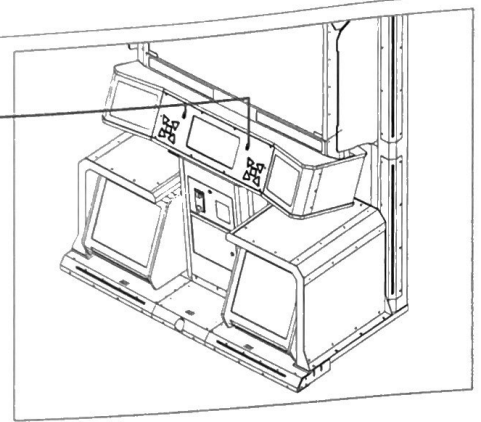
## 6-6. DISCONNECTED WITH INTERNET

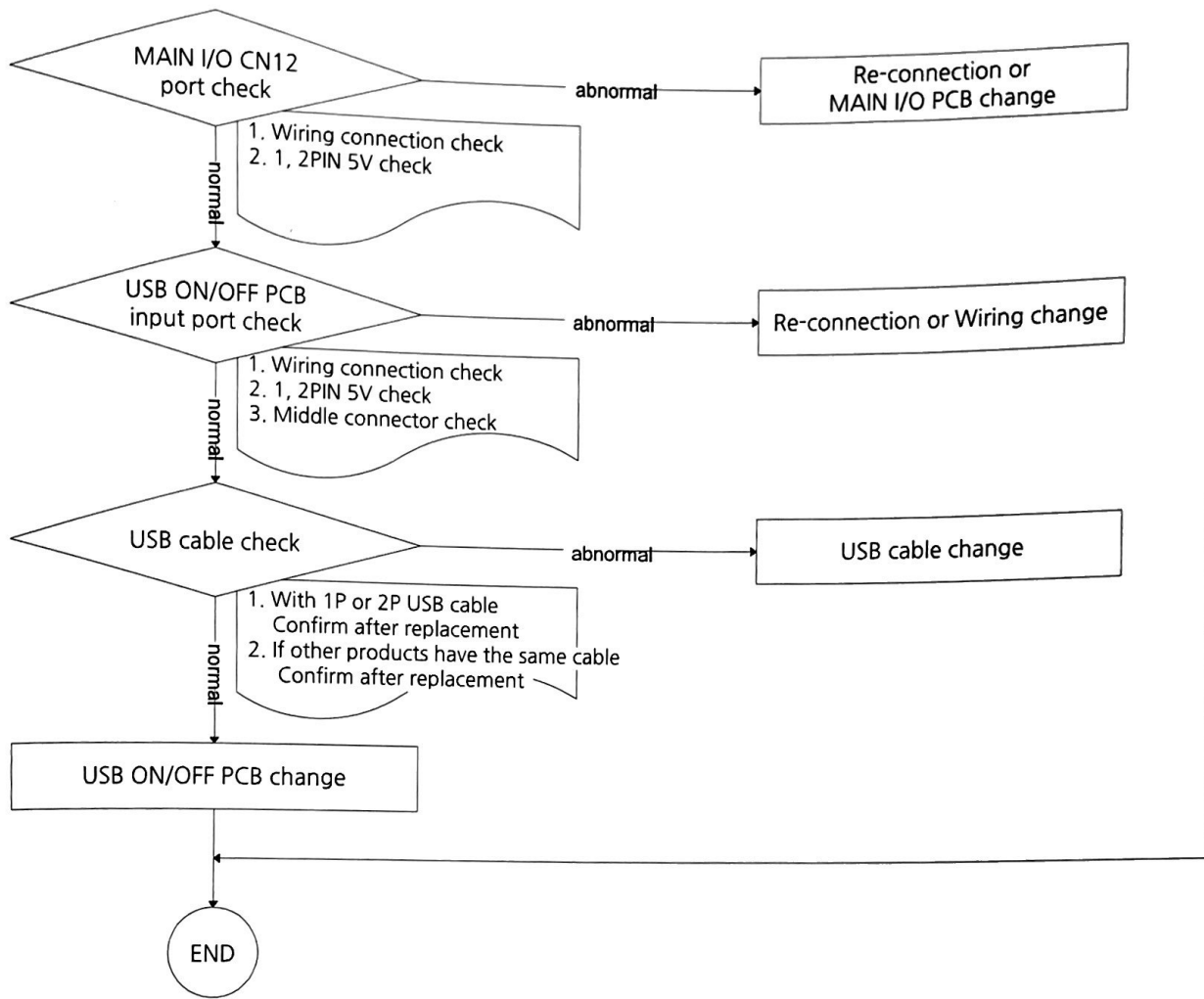


Please check the input voltage and connection

## 6-7. USB ON/OFF TROUBLE

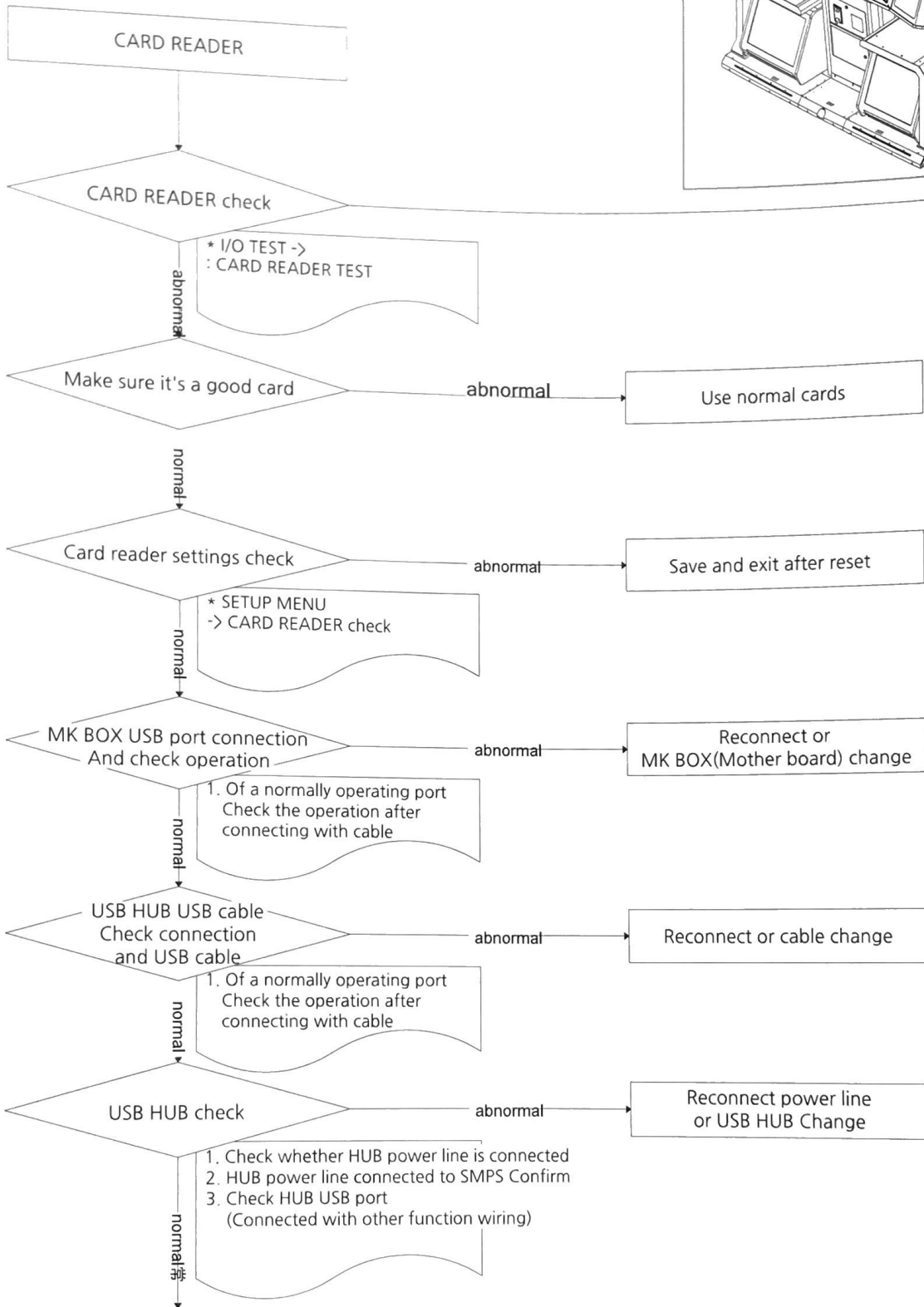
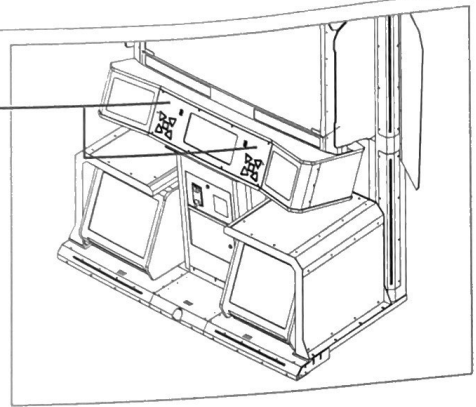
USB

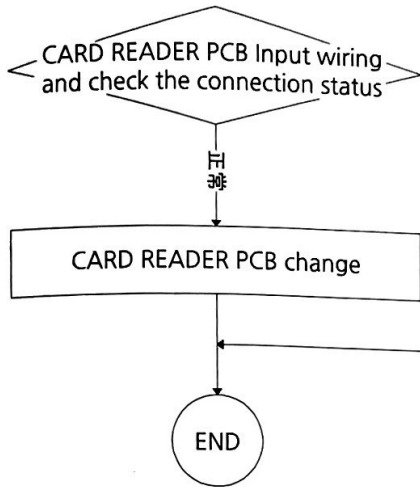




## 6-8. CARD READER TROUBLE

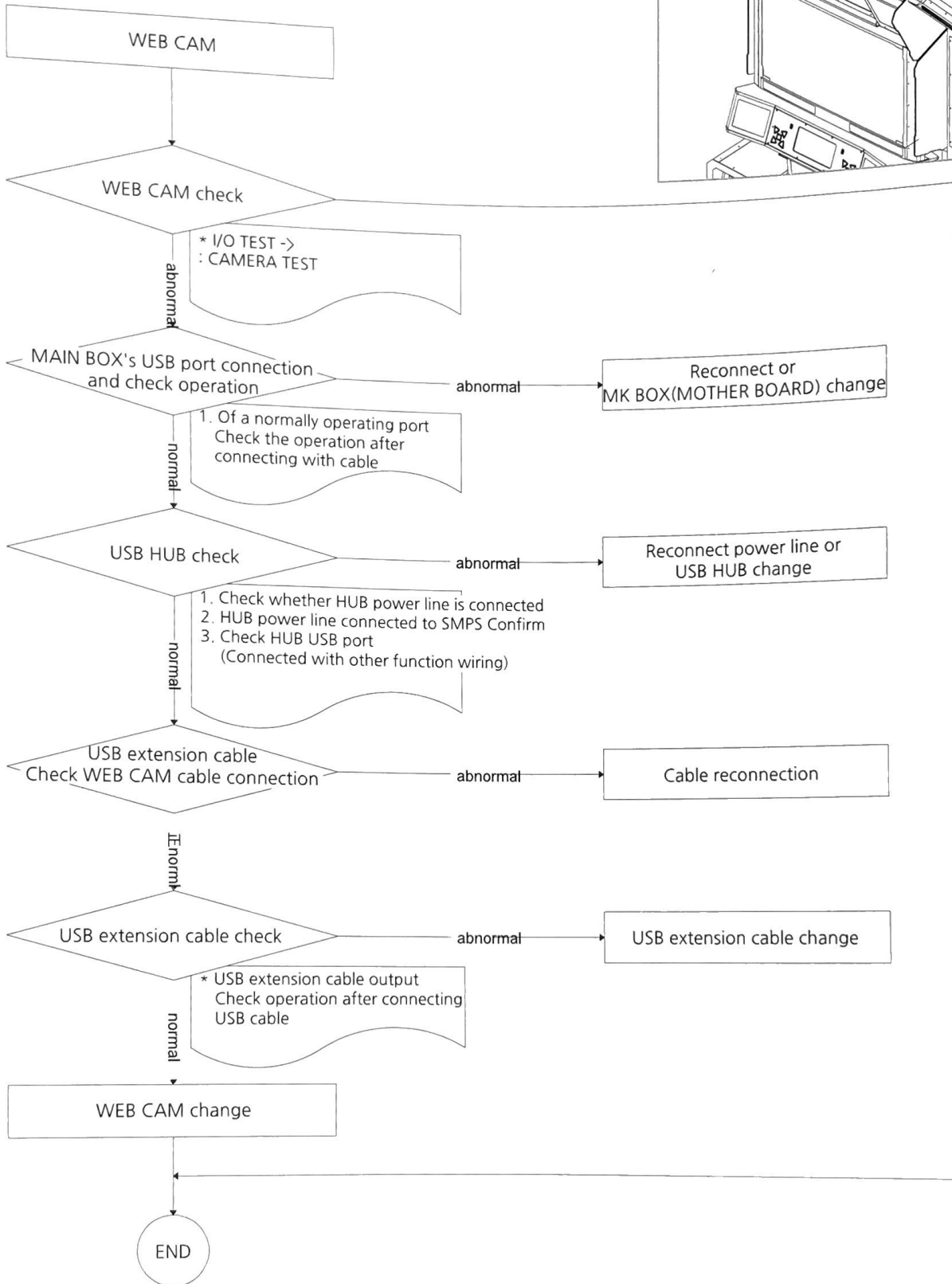
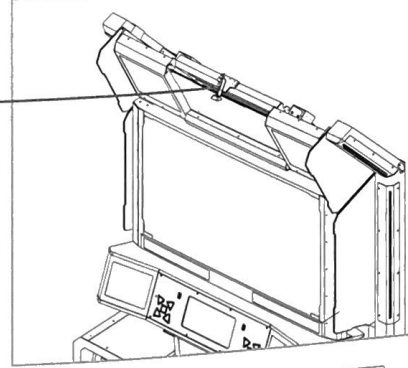
CARD READER





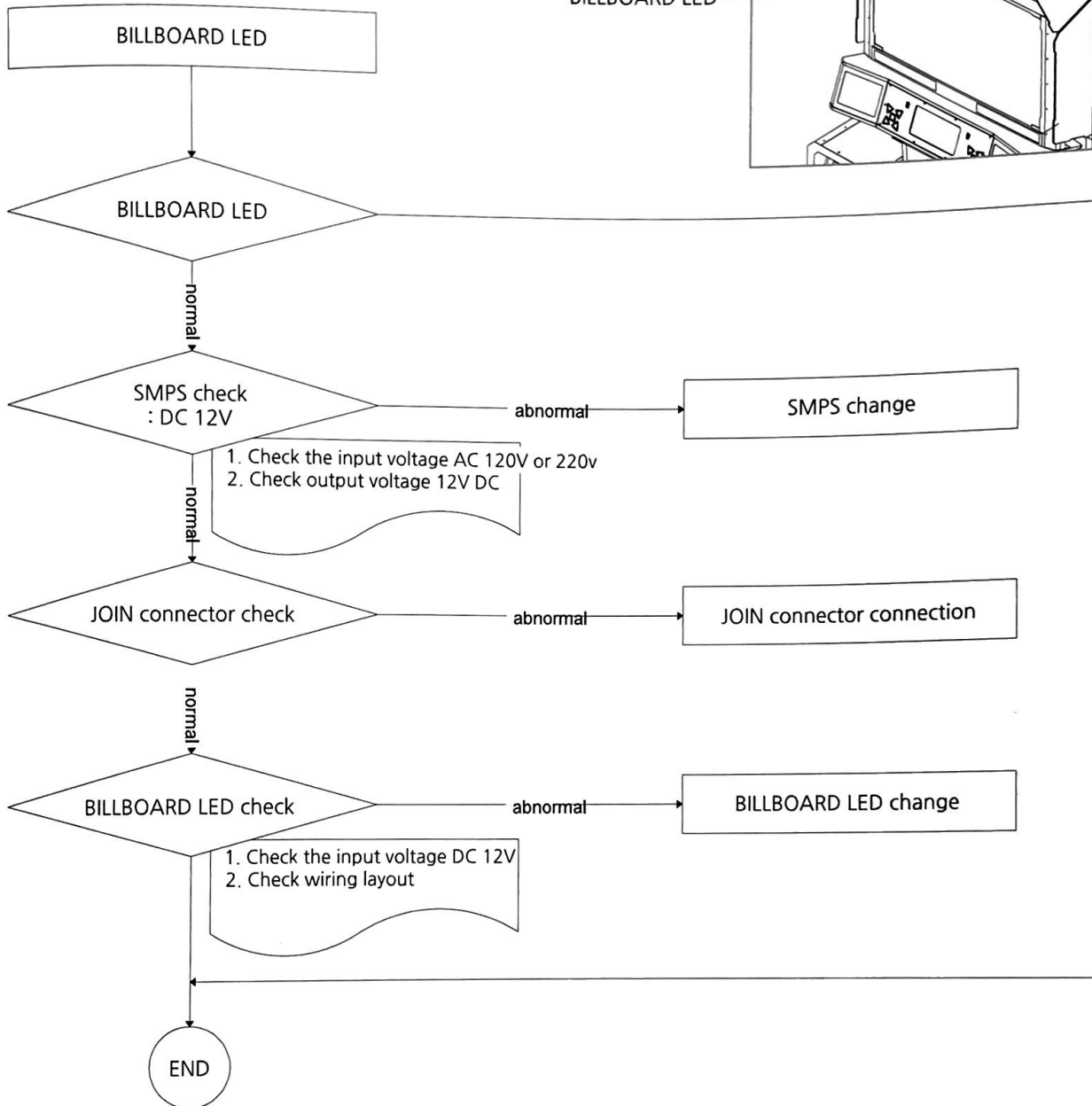
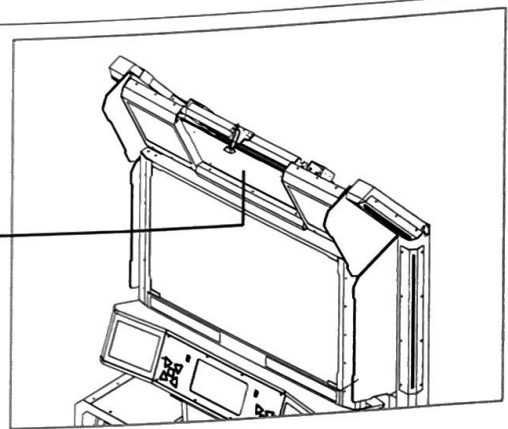
## 6-9. WEB CAM TROUBLE

WEB CAM

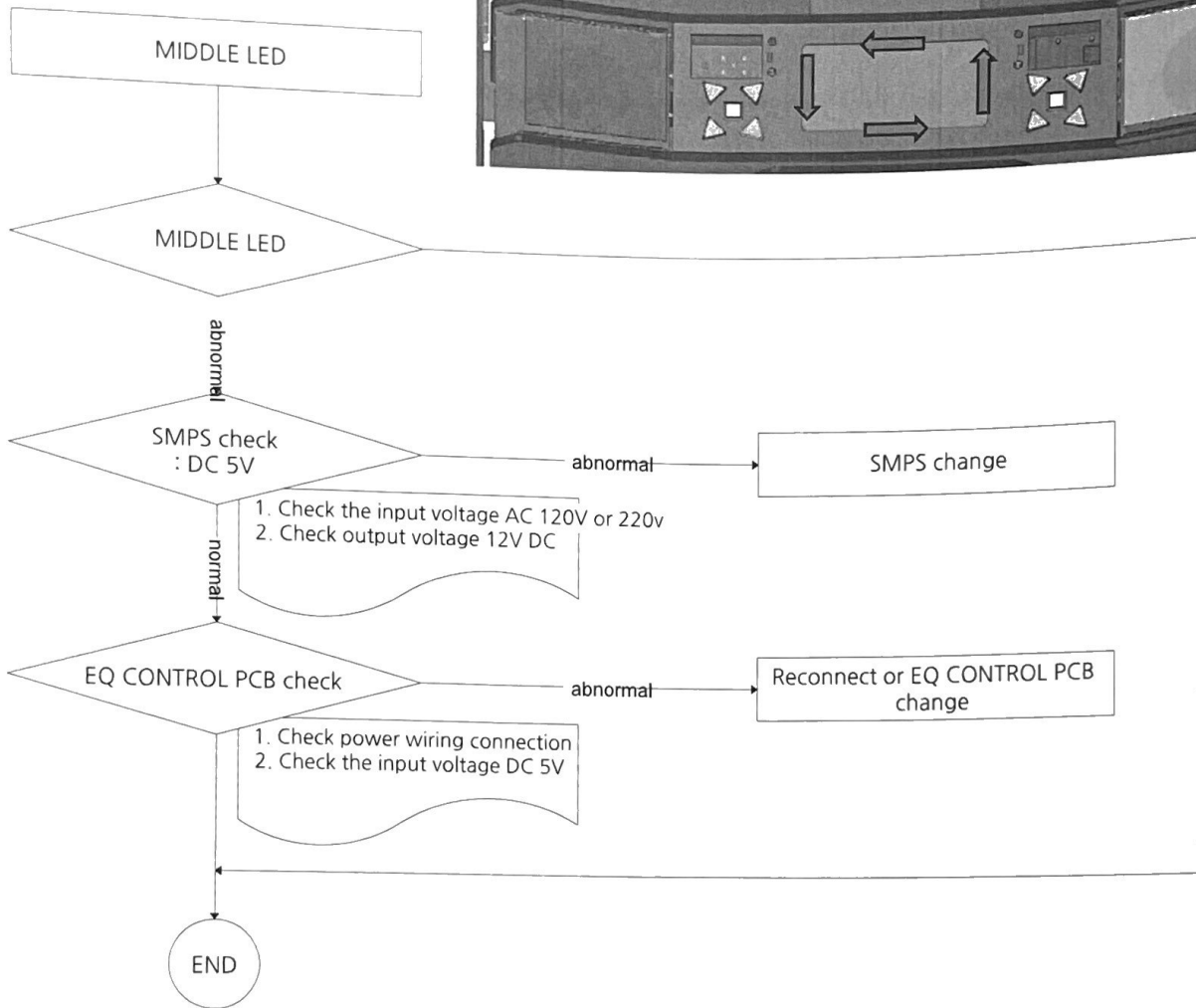
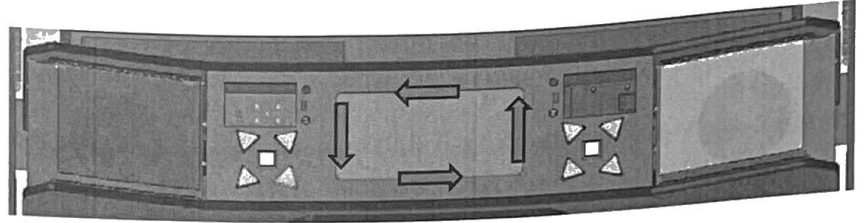


Please check the input voltage and connection

## 6-10. BILLBOARD LED TROUBLE

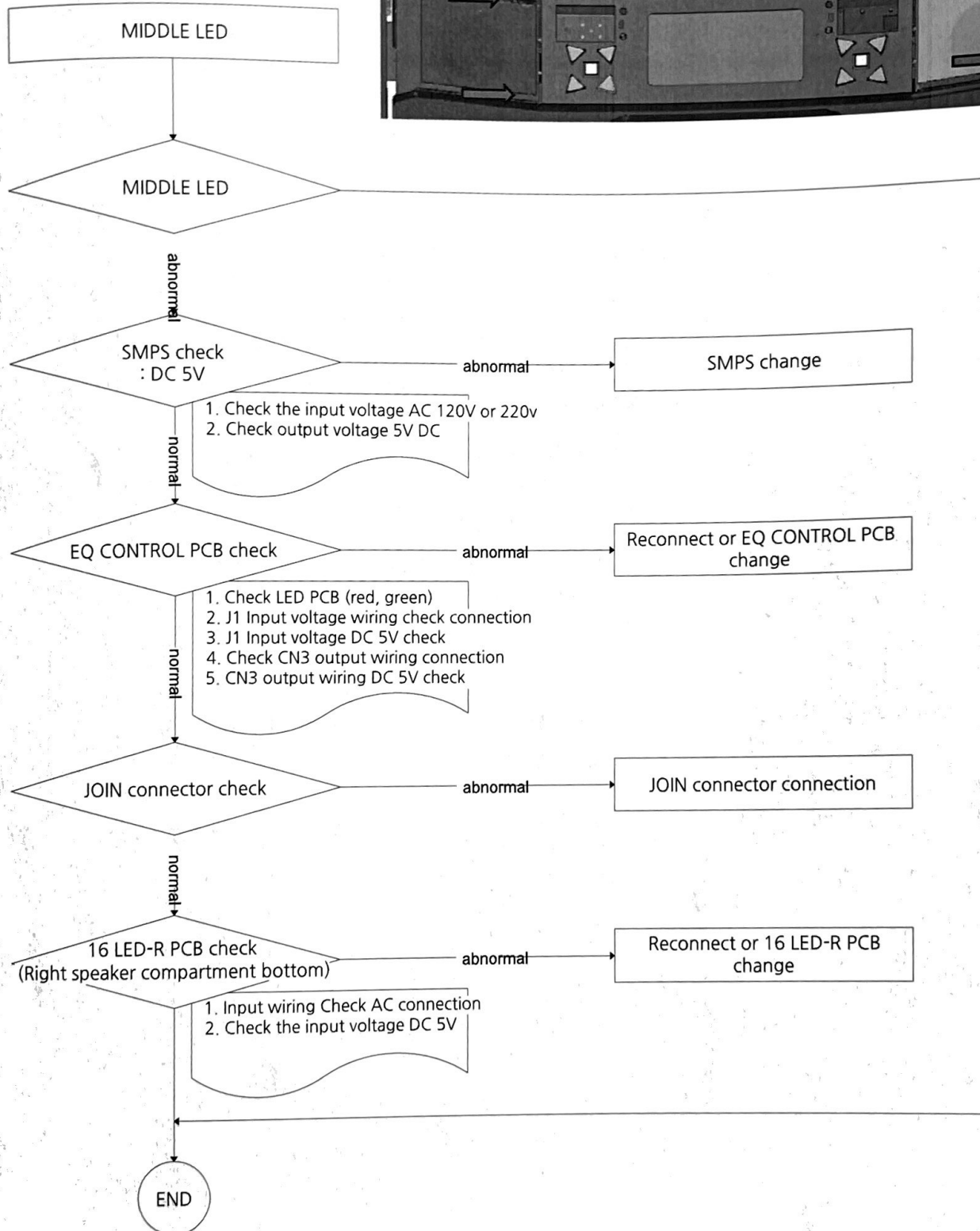
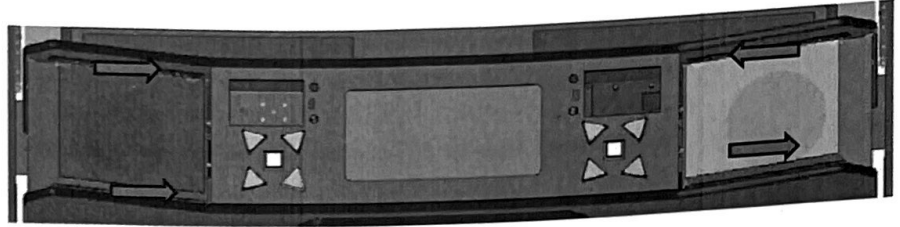


# 6-11. MIDDLE LED PCB TROUBLE \_CENTER (all)

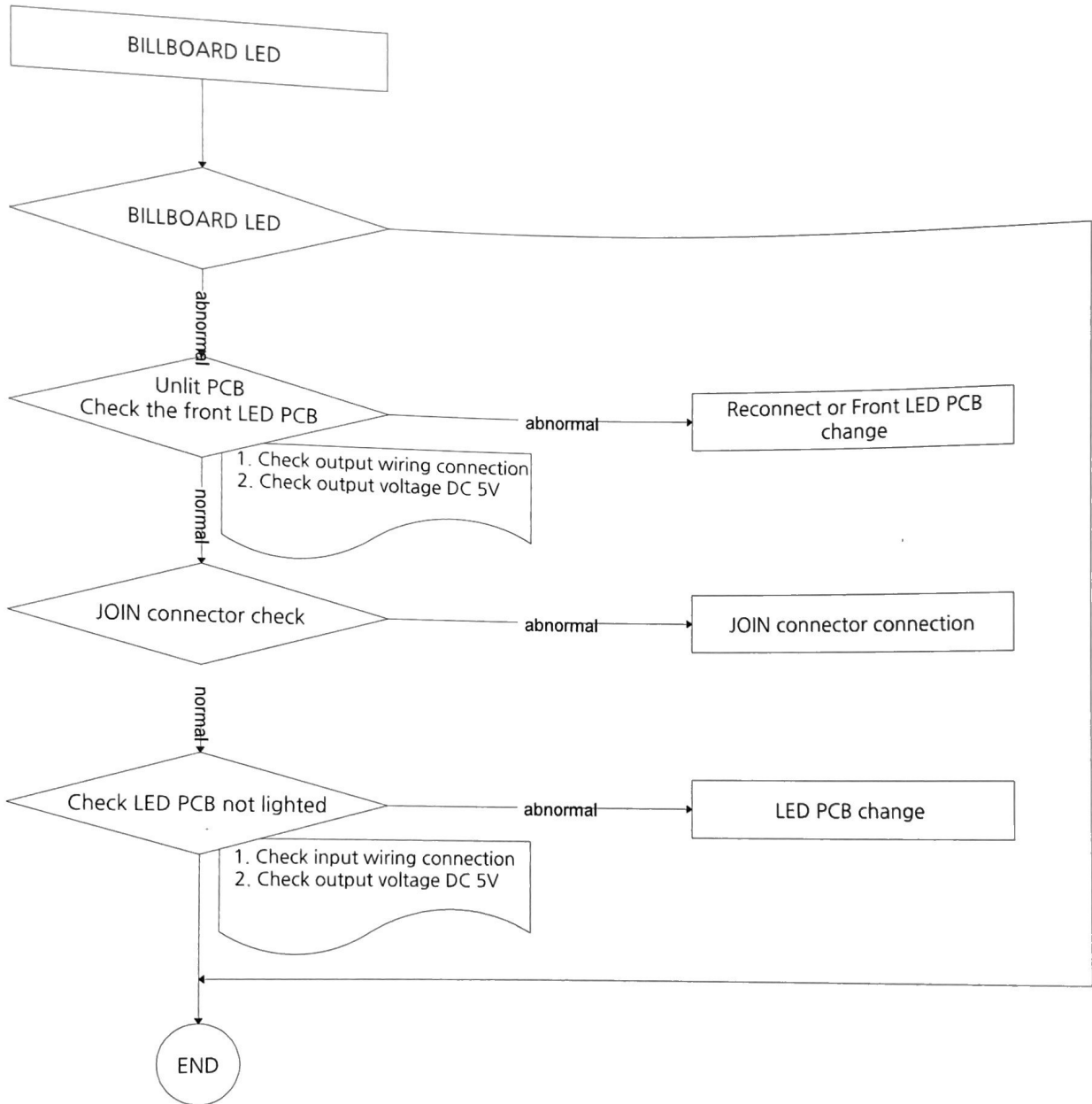




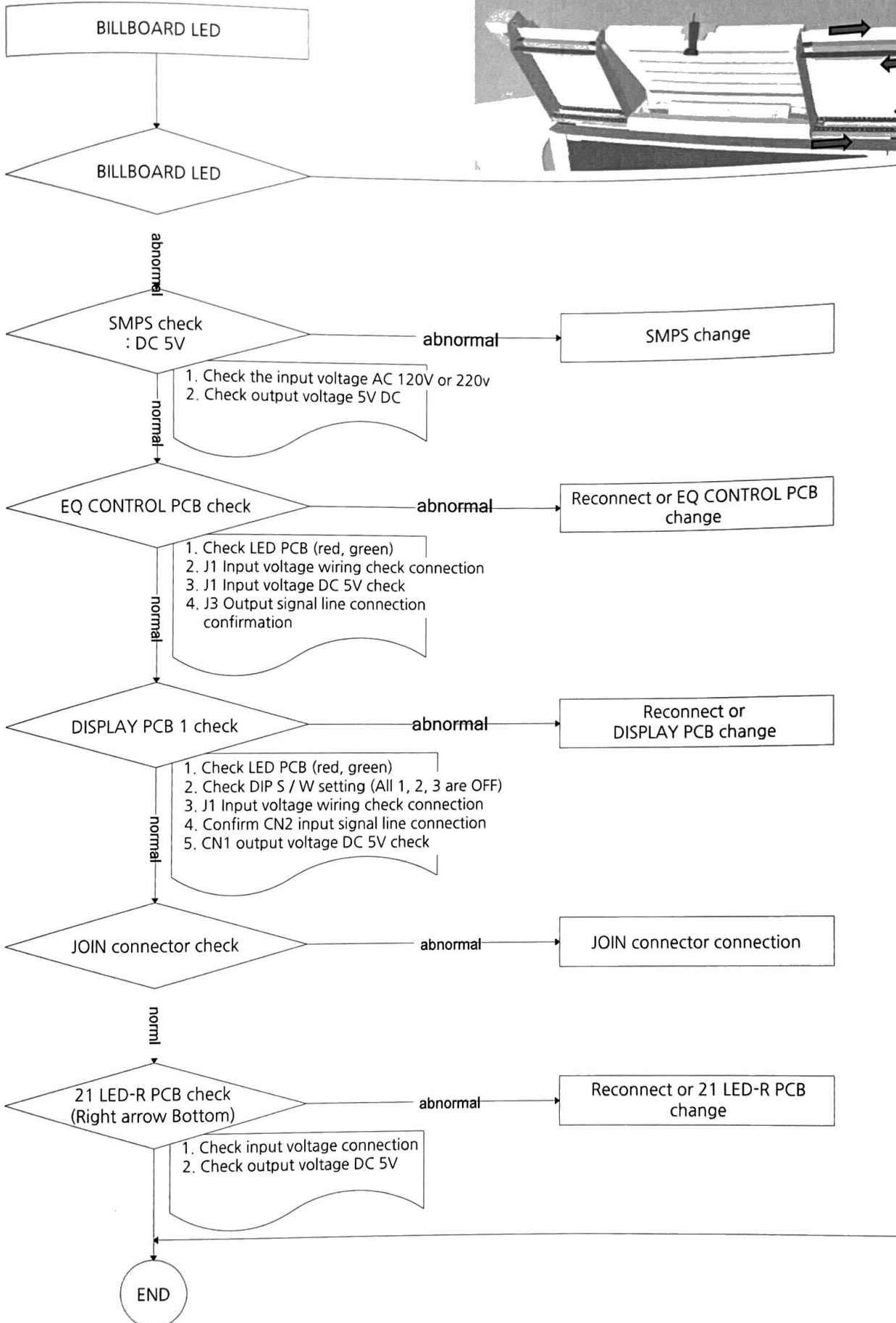
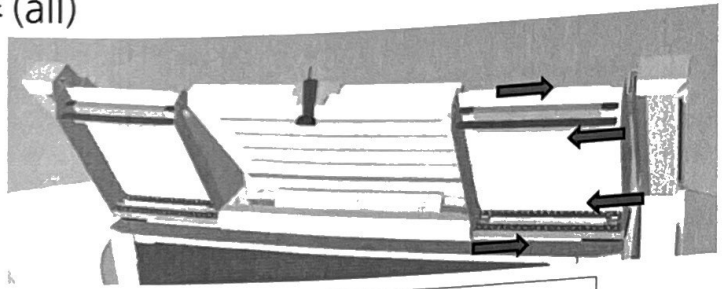
## 6-12. MIDDLE LED PCB TROUBLE \_L,R (all)



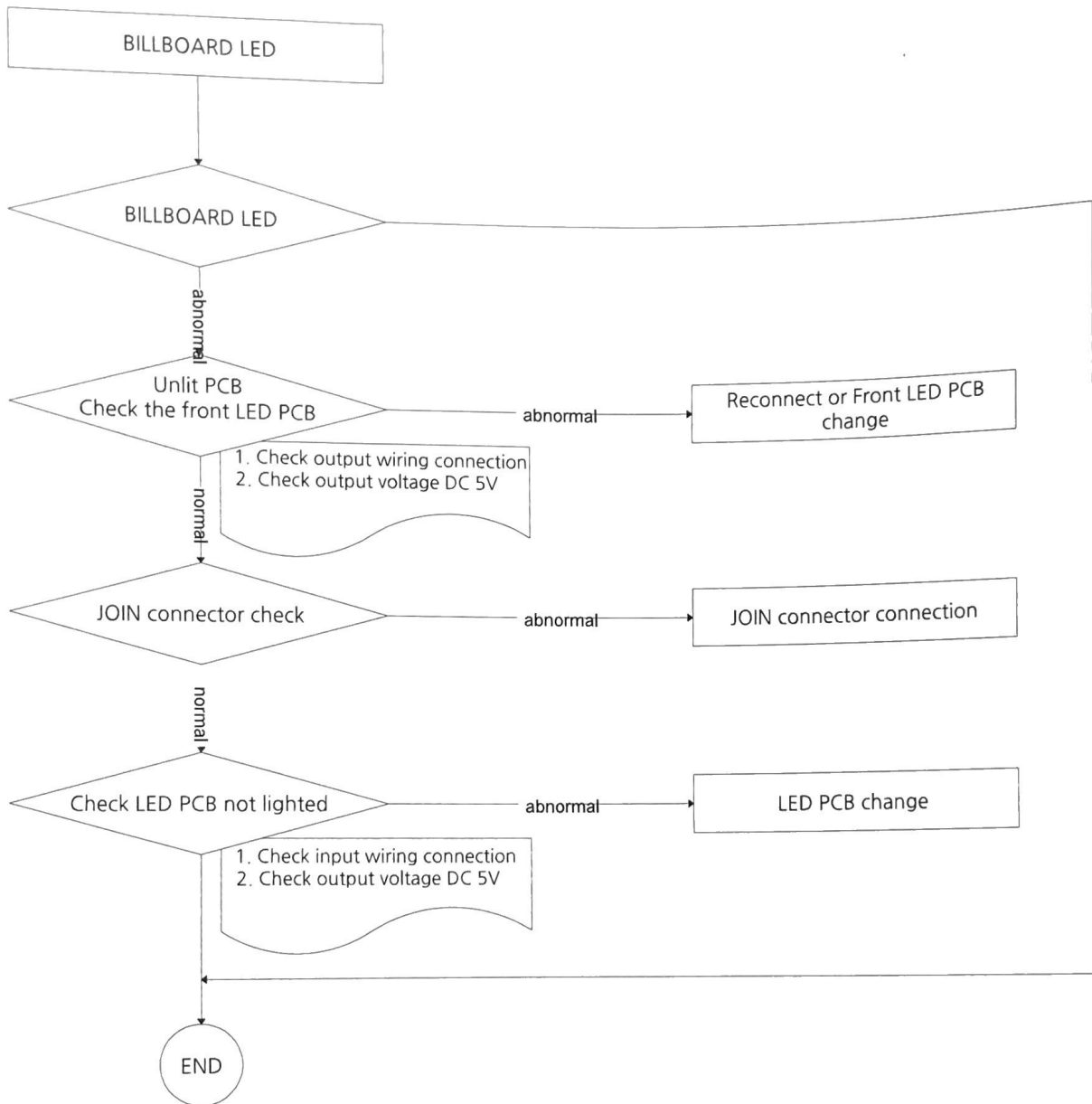
### \* MIDDLE LED PCB TROUBLE (part)



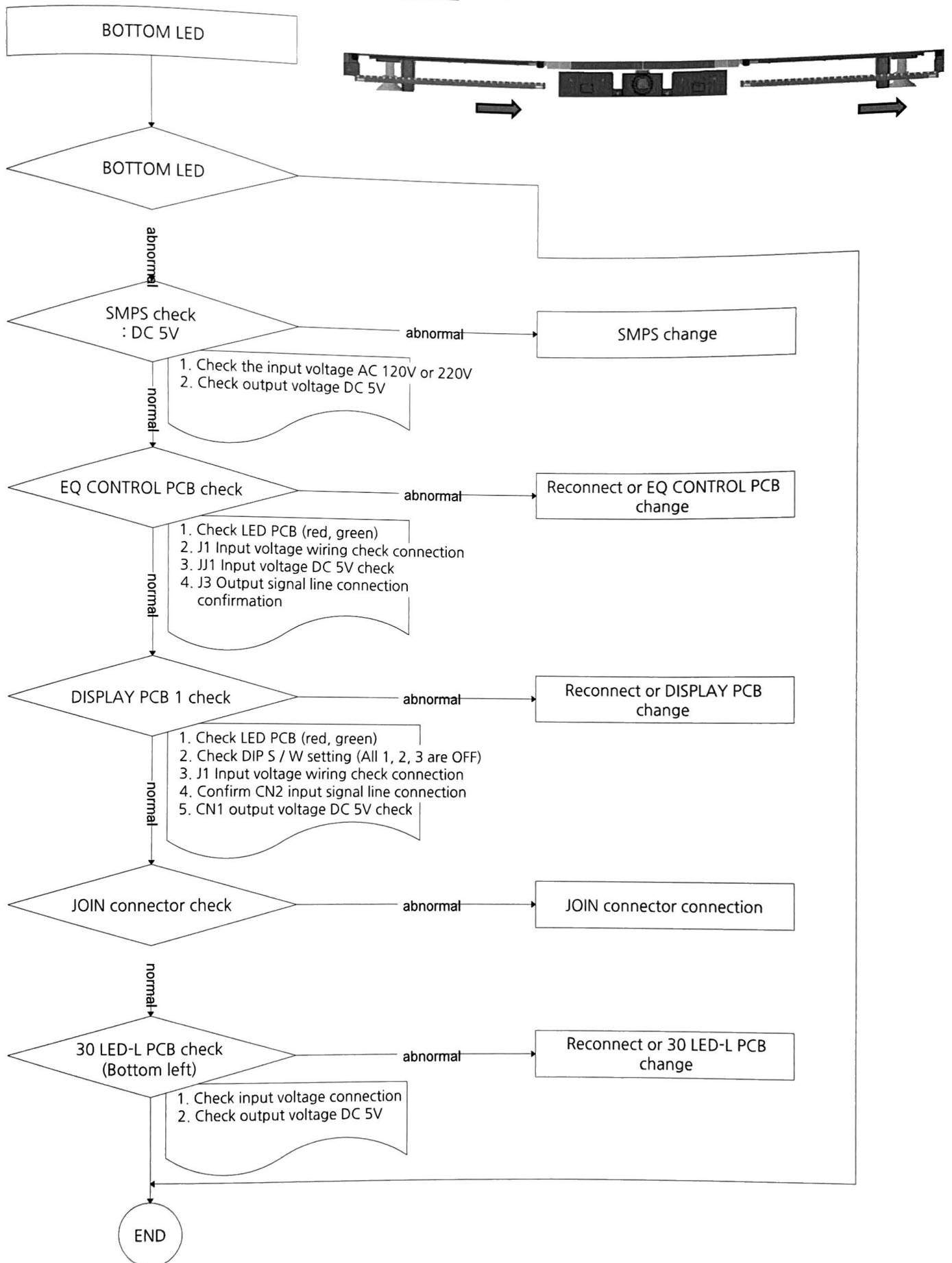
### 6-13. BILLBOARD LED PCB TROUBLE (all)



# \* BILLBOARD LED PCB (part)

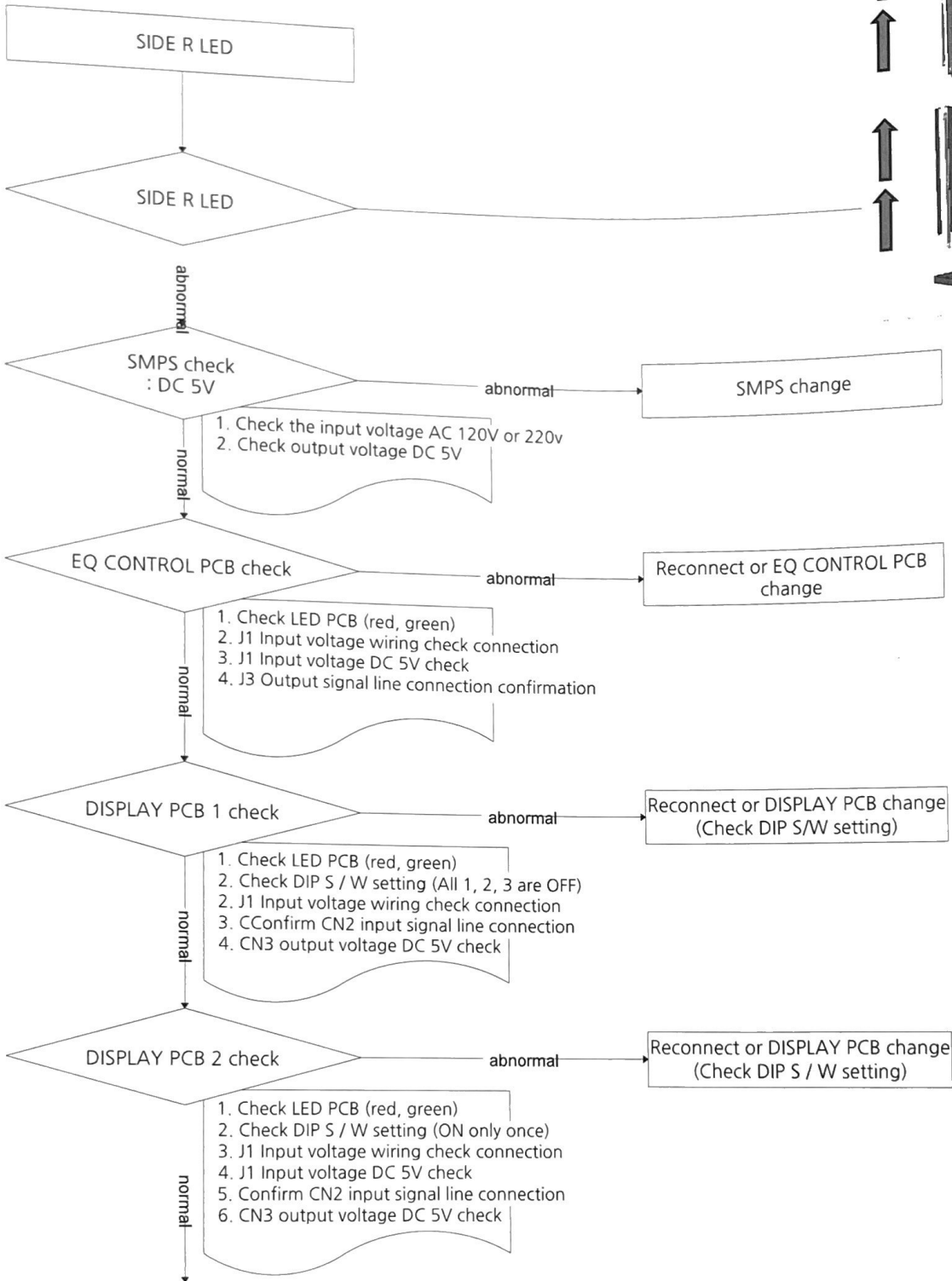
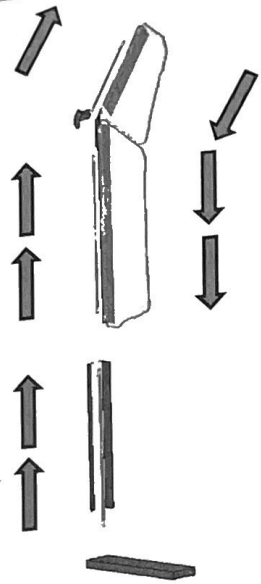


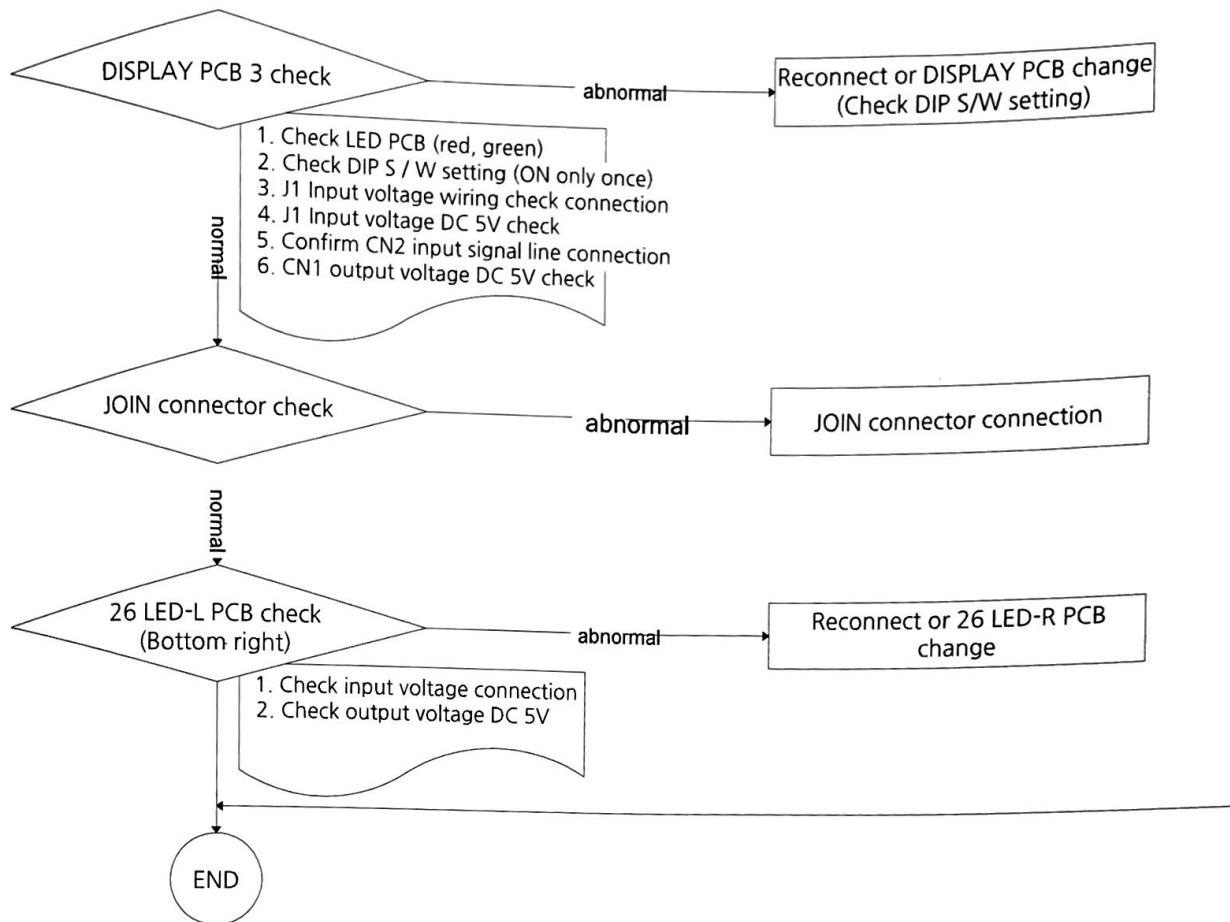
# 6-14. BOTTOM LED PCB TROUBLE all)



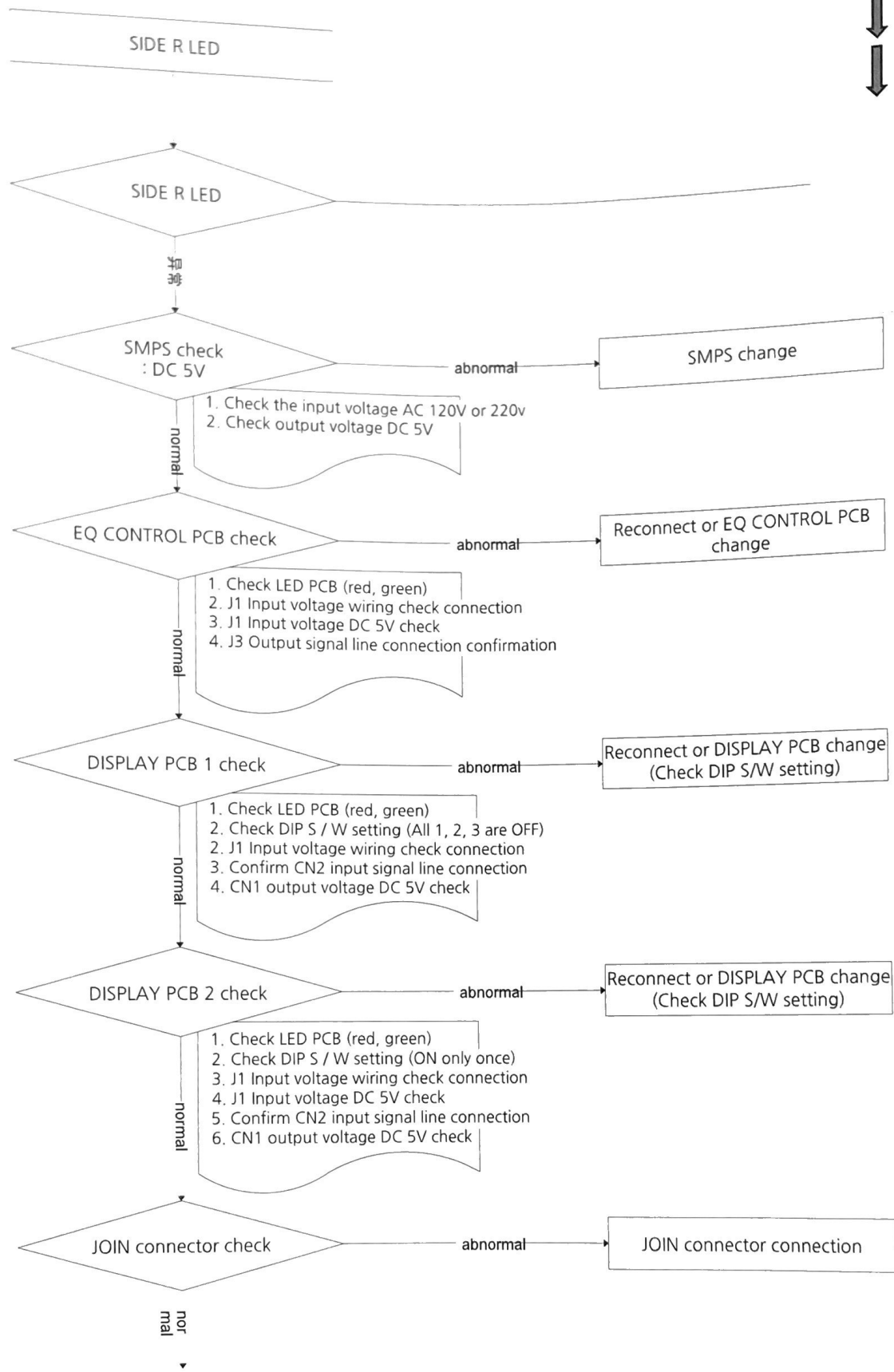
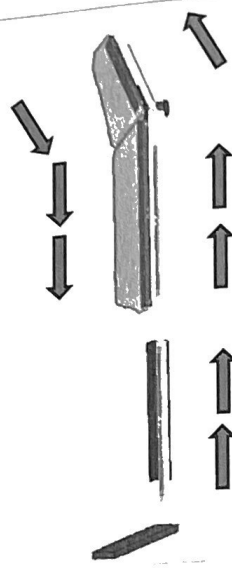
Please check the input voltage and connection

# 6-15. SIDE L LED TROUBLE (all)

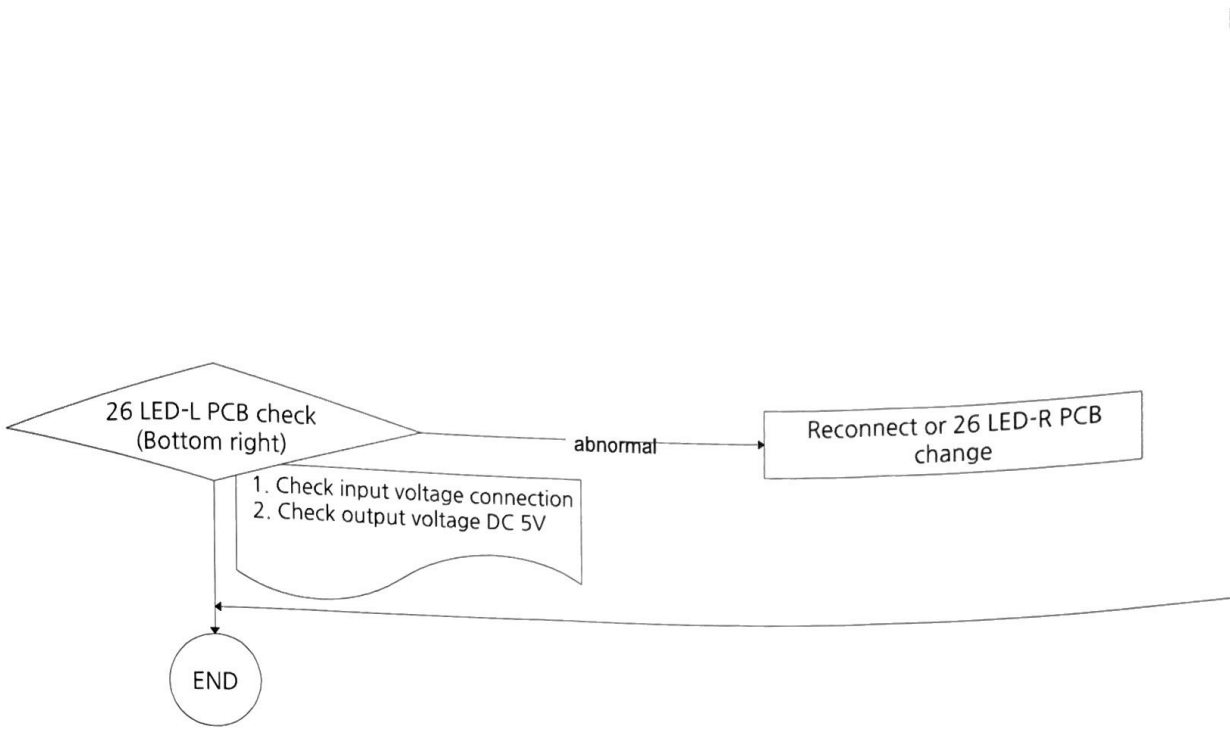




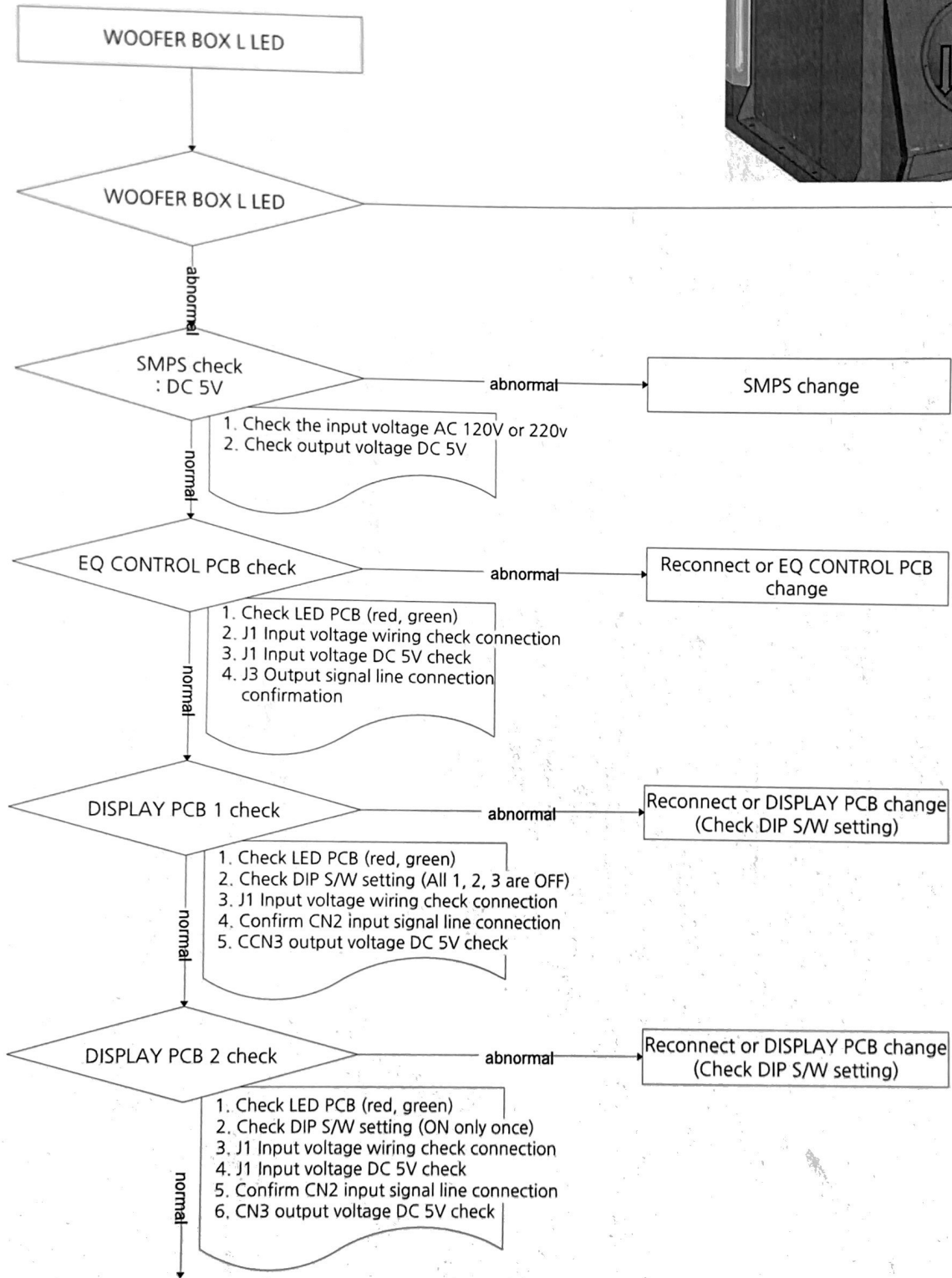
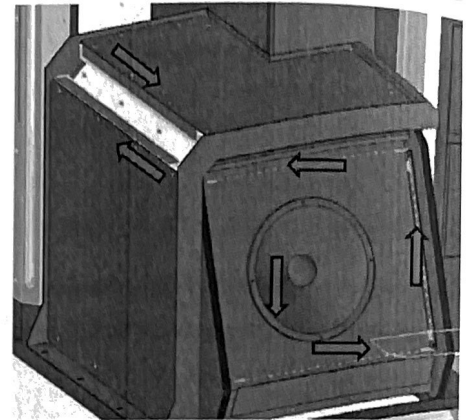
# 6-16. SIDE R LED TROUBLE (all)



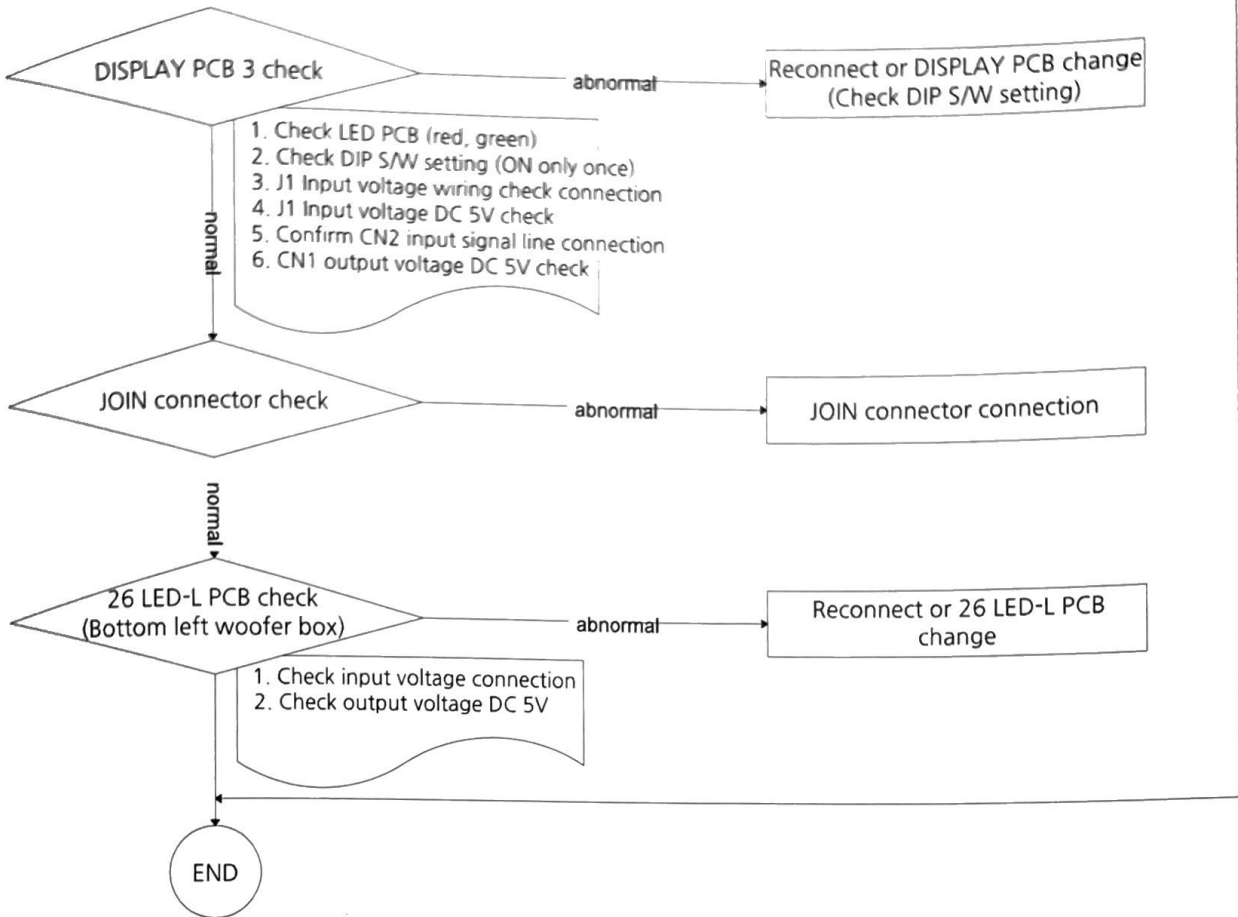




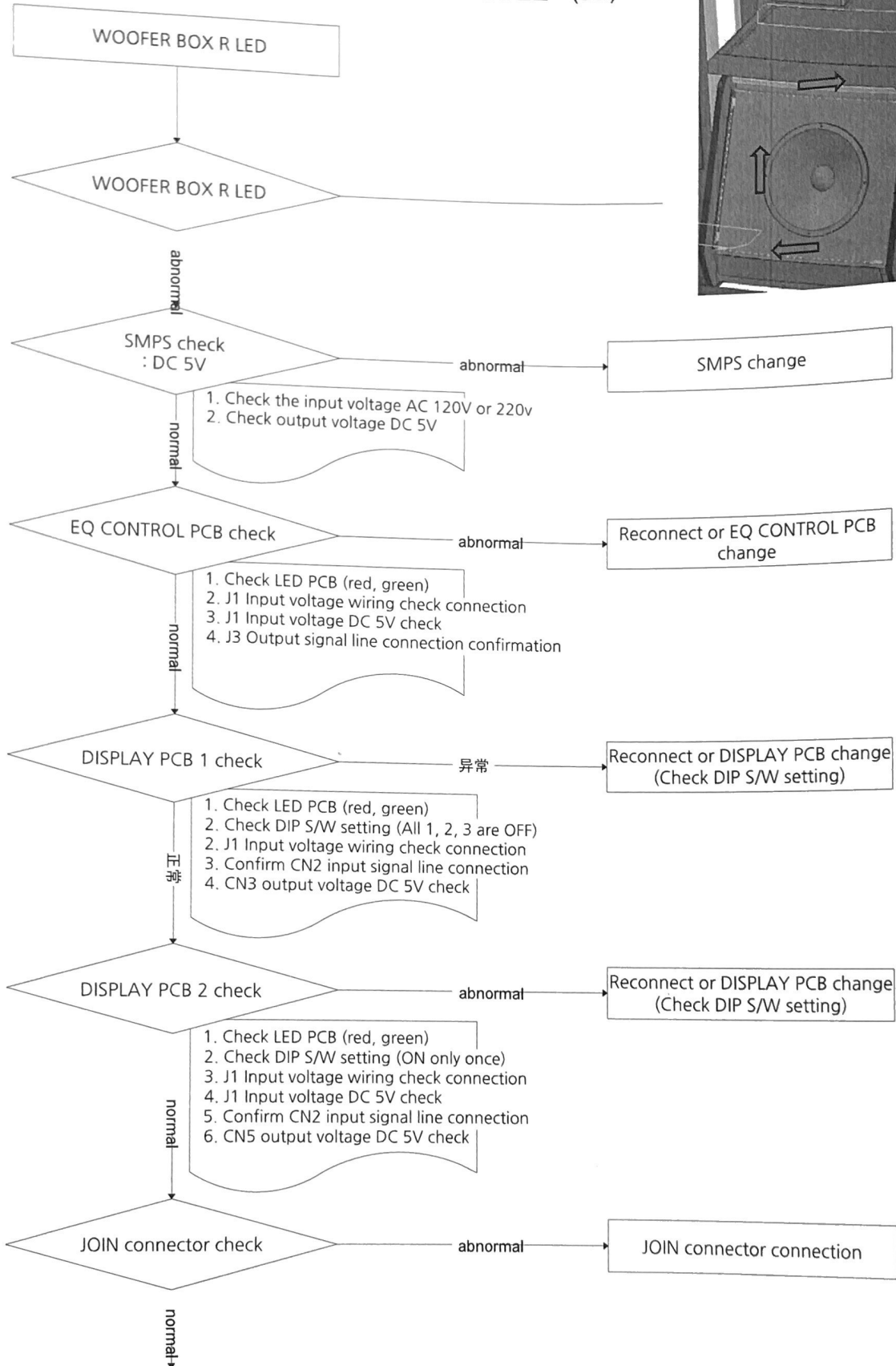
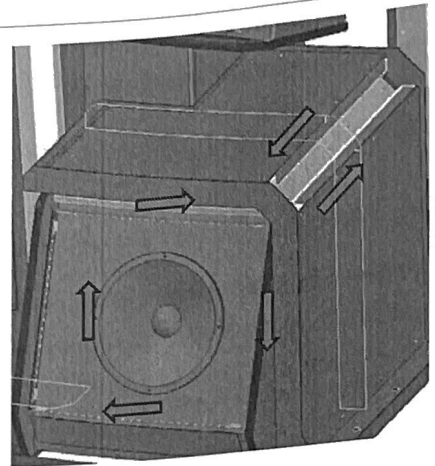
# 6-17. WOOFER BOX L LED TROUBLE (all)

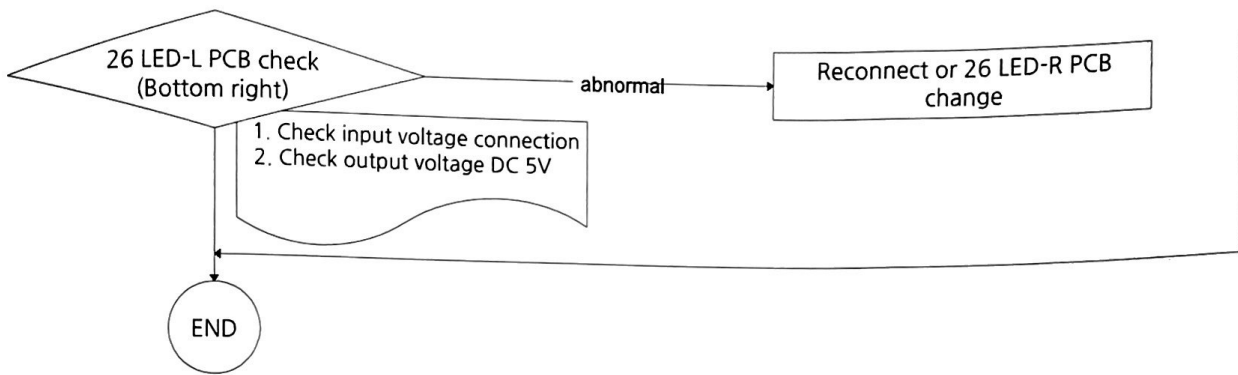


Please ch

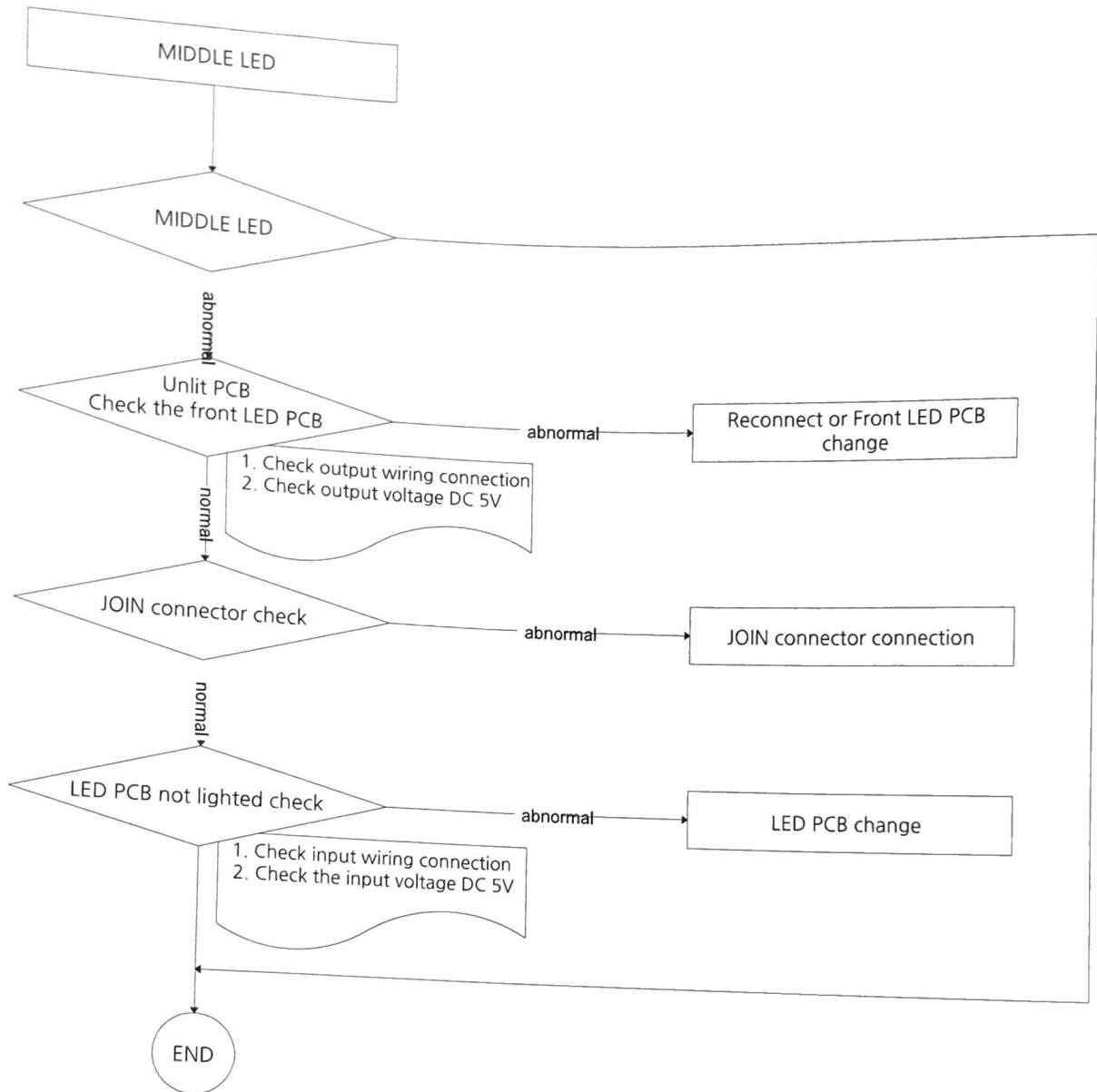


# 6-18. WOOFER BOX R LED TROUBLE (all)

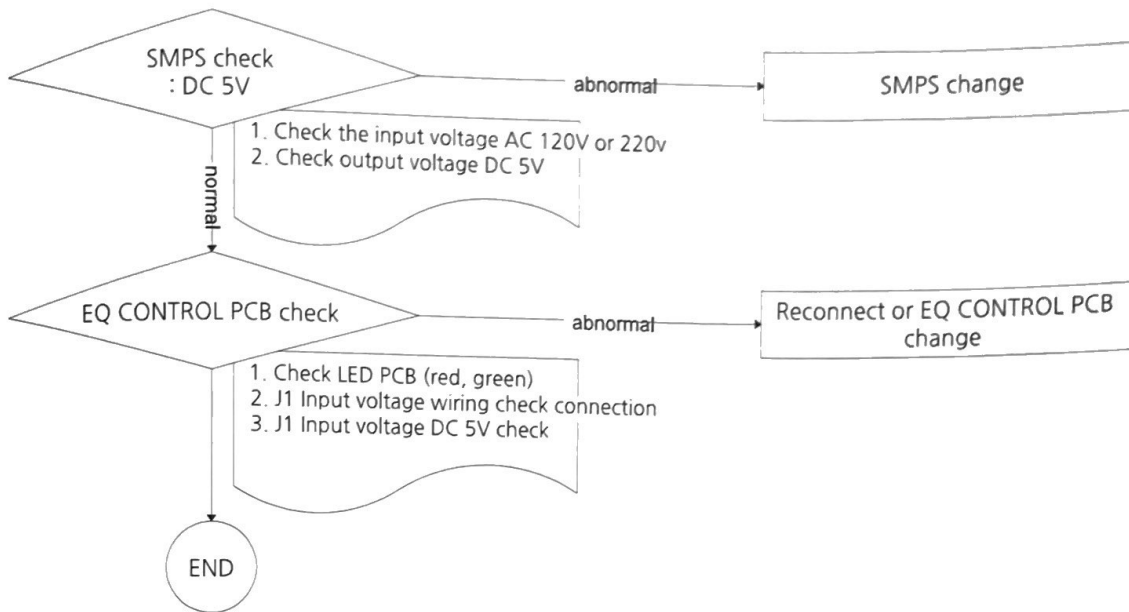




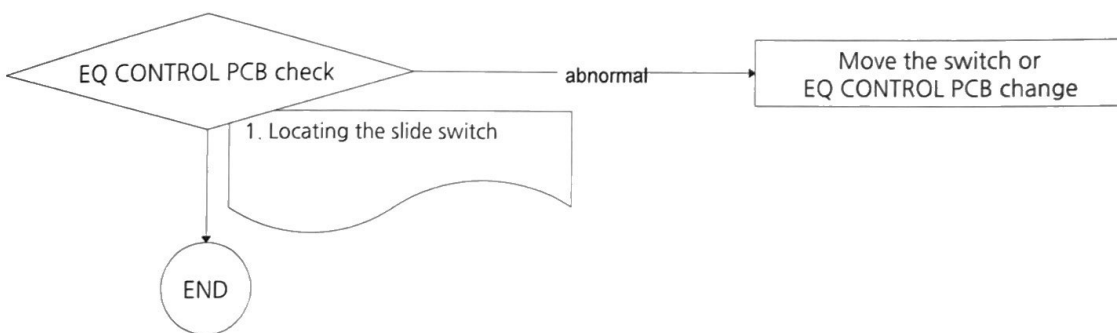
### \* COMMON\_LED PCB TROUBLE (part)



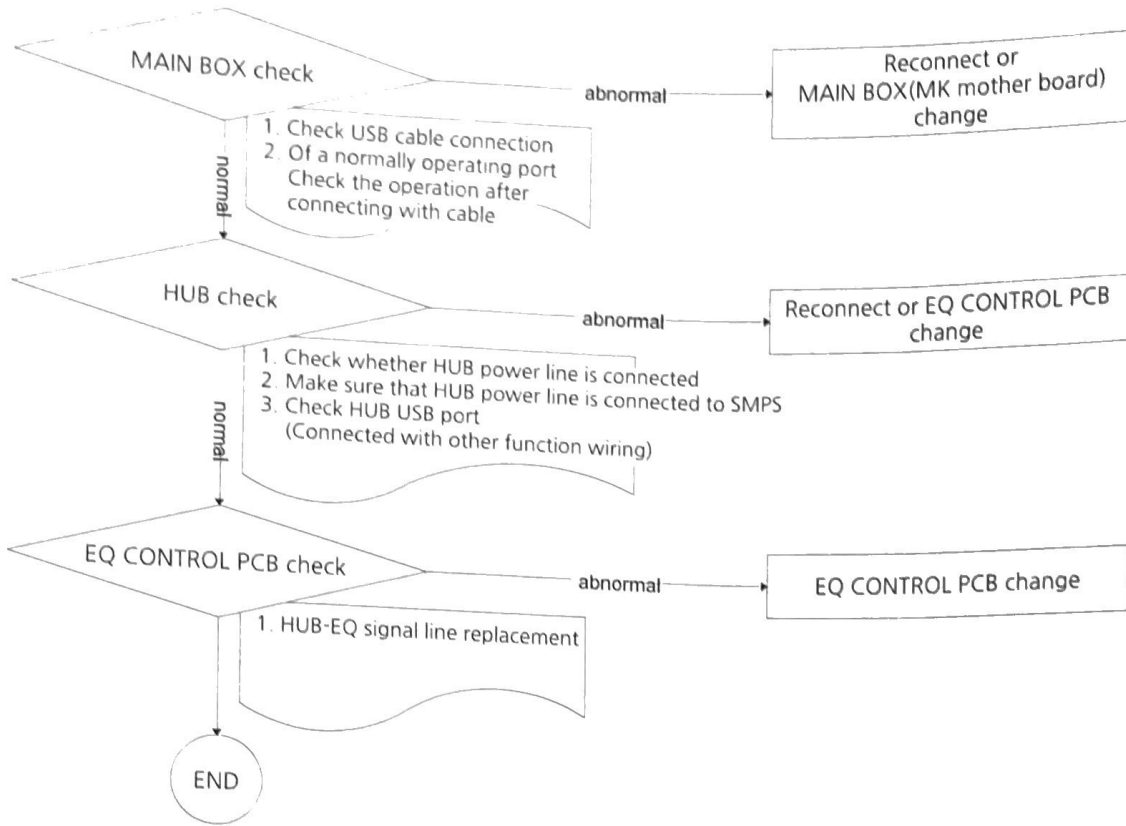
\* IF ALL THE COLOR LEDS ARE NOT LIGHT ON



\* WHEN THE COLOR LED IS LIT ONLY IN RED, GREEN, BLUE, AND WHITE

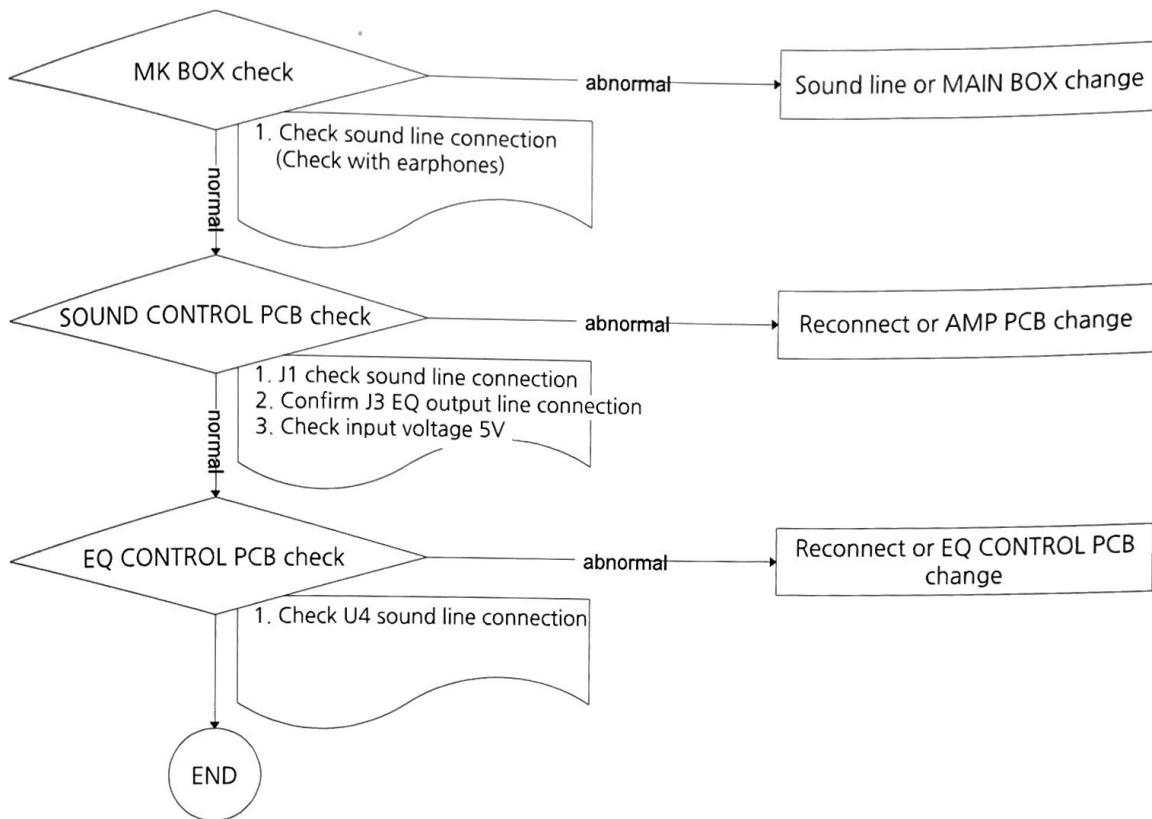


\* WHEN THE COLOR LED IS ONLY LIT IN WHITE, BLUE, OR OFF



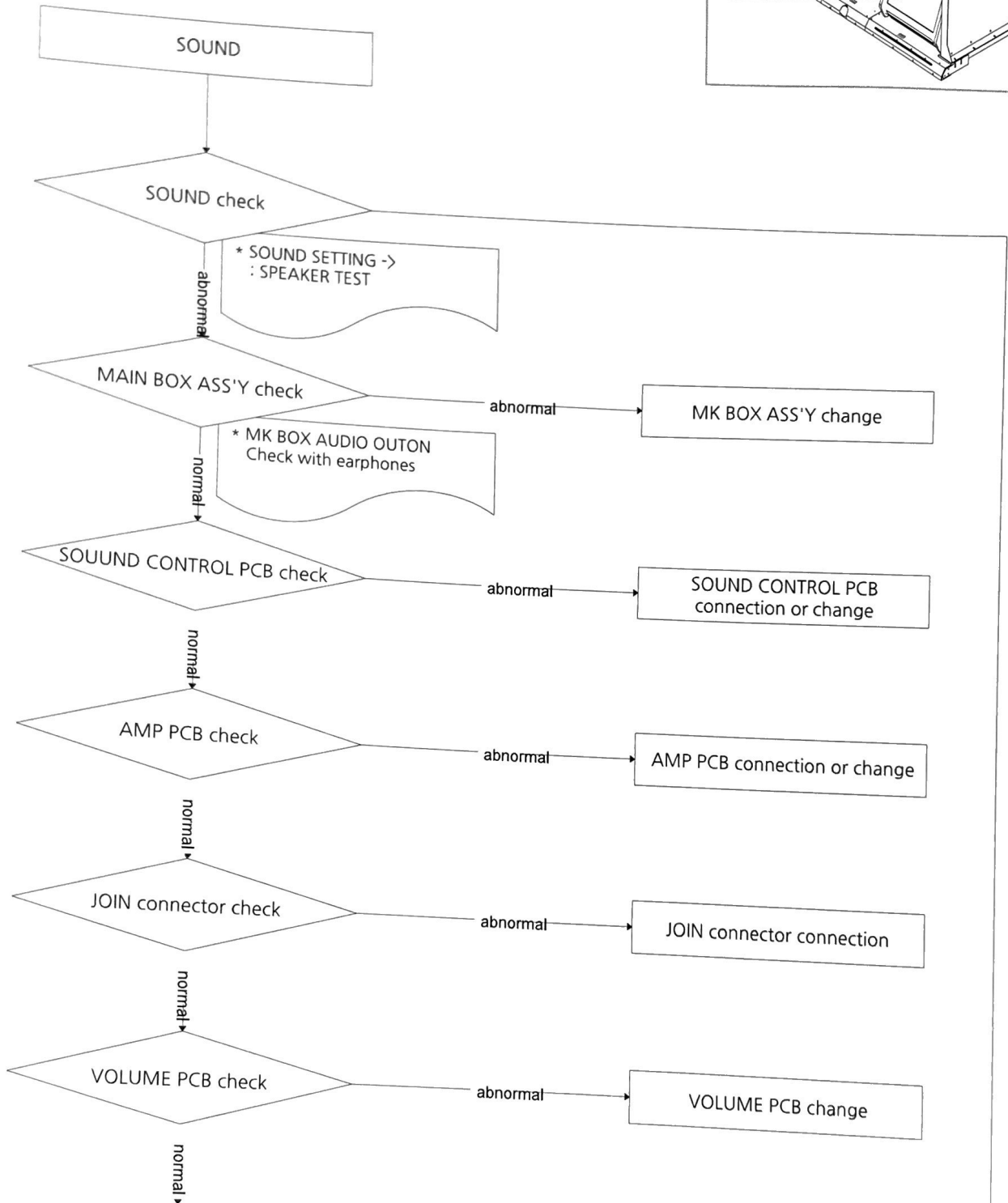
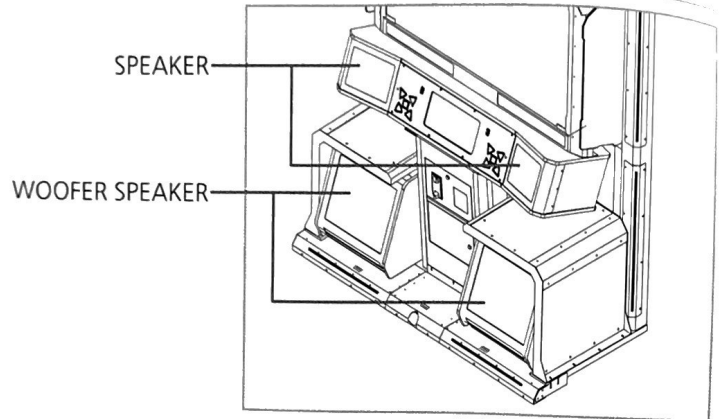


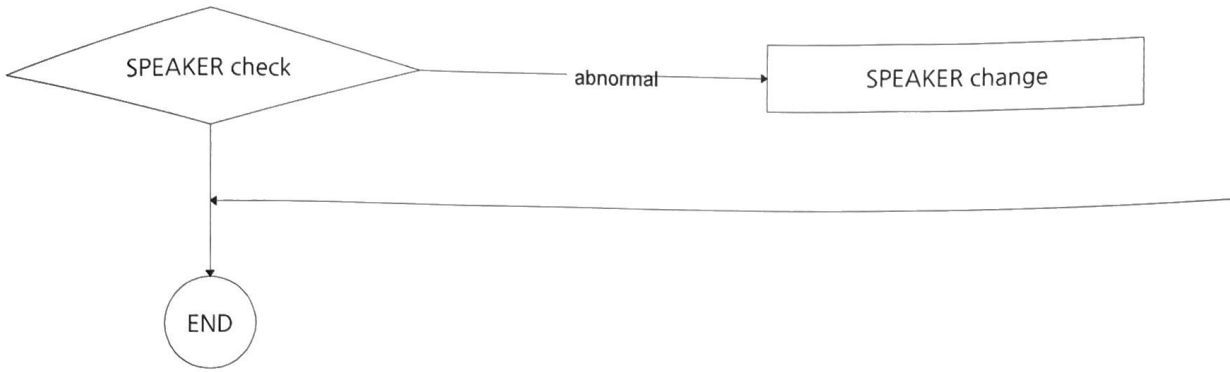
## 6-19. WHEN THE WHITE LIGHT AND THE BLUE LIGHT COME OUT ONLY OCCASIONALLY (EQ malfunction)



Please check the input voltage and connection

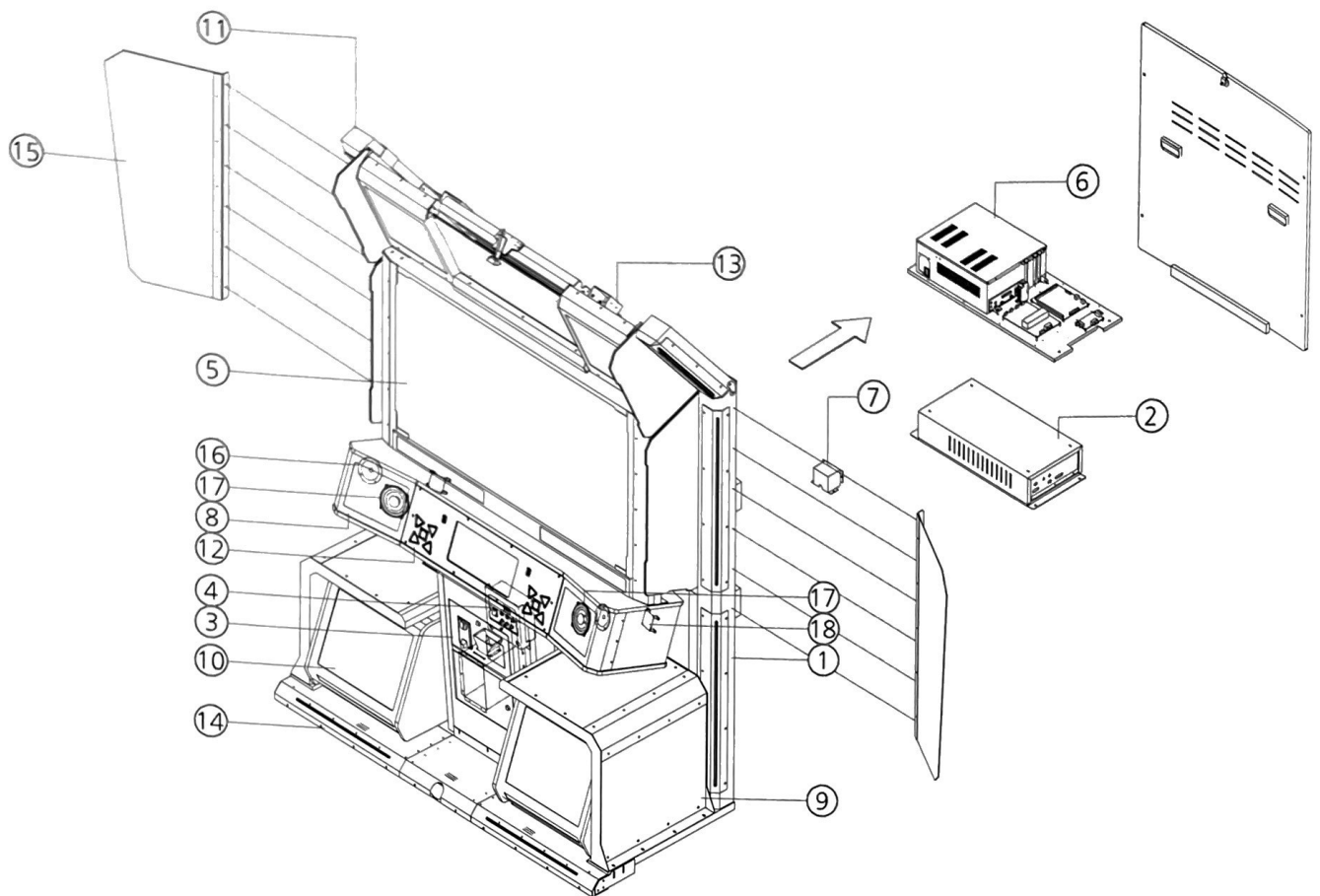
## 6-20. SOUND TROUBLE





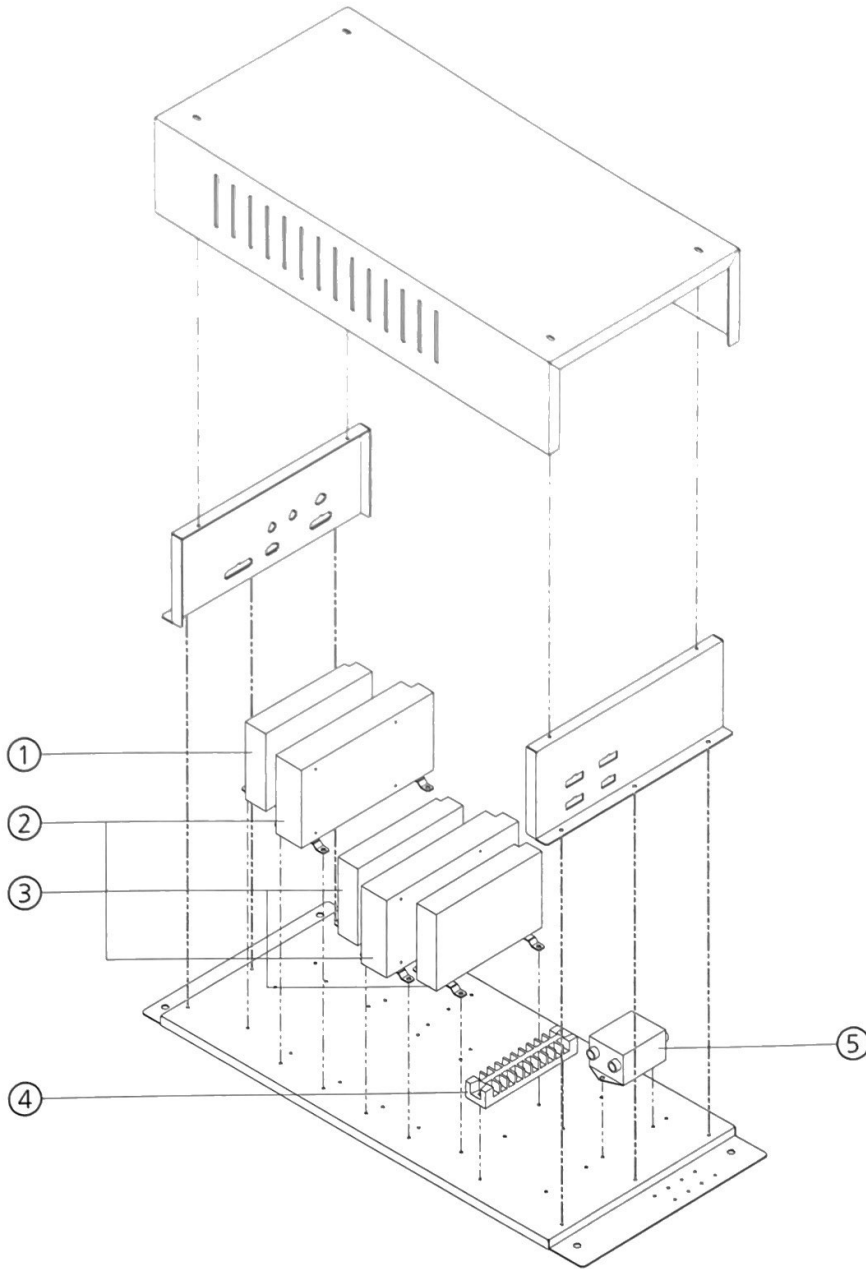
## 7.ACCESSORY LIST

### 7-1. MAIN CABINET PART



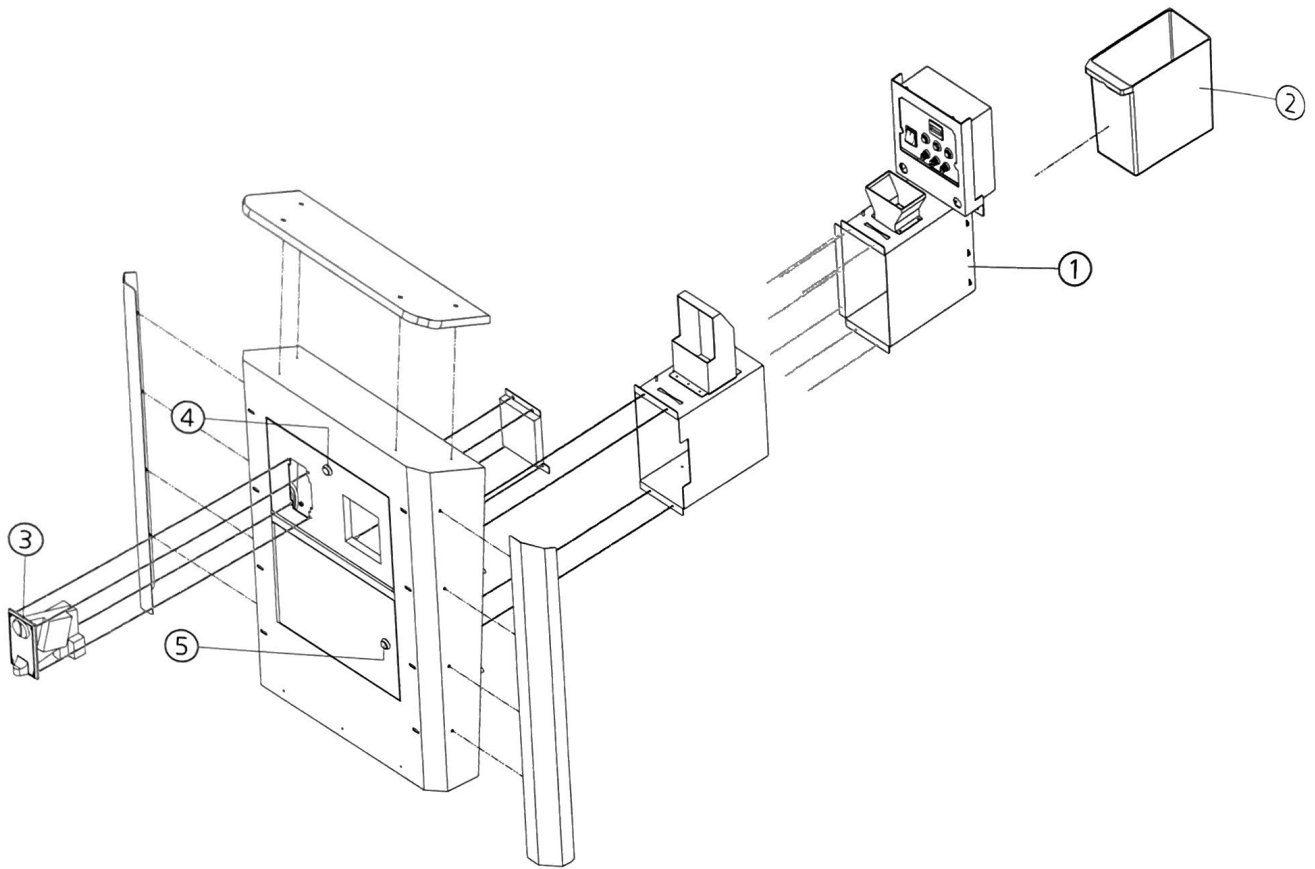
NO.	PART NAME	SPEC.	QUANTITY	CODE NO.
1	MAIN CABINET	-	1	-
2	POWER BASE PART	-	1	-
3	COIN DOOR CASE PART	-	1	-
4	SETUP PANEL PART	-	1	-
5	MONITOR PART	-	1	-
6	PCB BASE PART	-	1	-
7	AC INPUT PART	-	1	-
8	MID SPEAKER SIDE COVER L,R PART	-	2	-
9	SPEAKER DECO PART	-	2	-
10	WOOFER SPEAKER COVER L,R PART	-	2	-
11	LIGHT COLUME L,R PART	-	2	-
12	MID SPEAKER FRONT COVER PART	-	2	-
13	BILLBOARD PART	-	1	-
14	BASE LIGHT DECO PART	-	1	-
15	[ OPTION ] POP PART	-	1	-
16	SPEAKER	-	2	-
17	SPEAKER	5.25"	2	-
18	SPEAKER NETWORK PCB ASS'Y	-	2	APUT0PCB007

## 7-2. POWER BASE PART



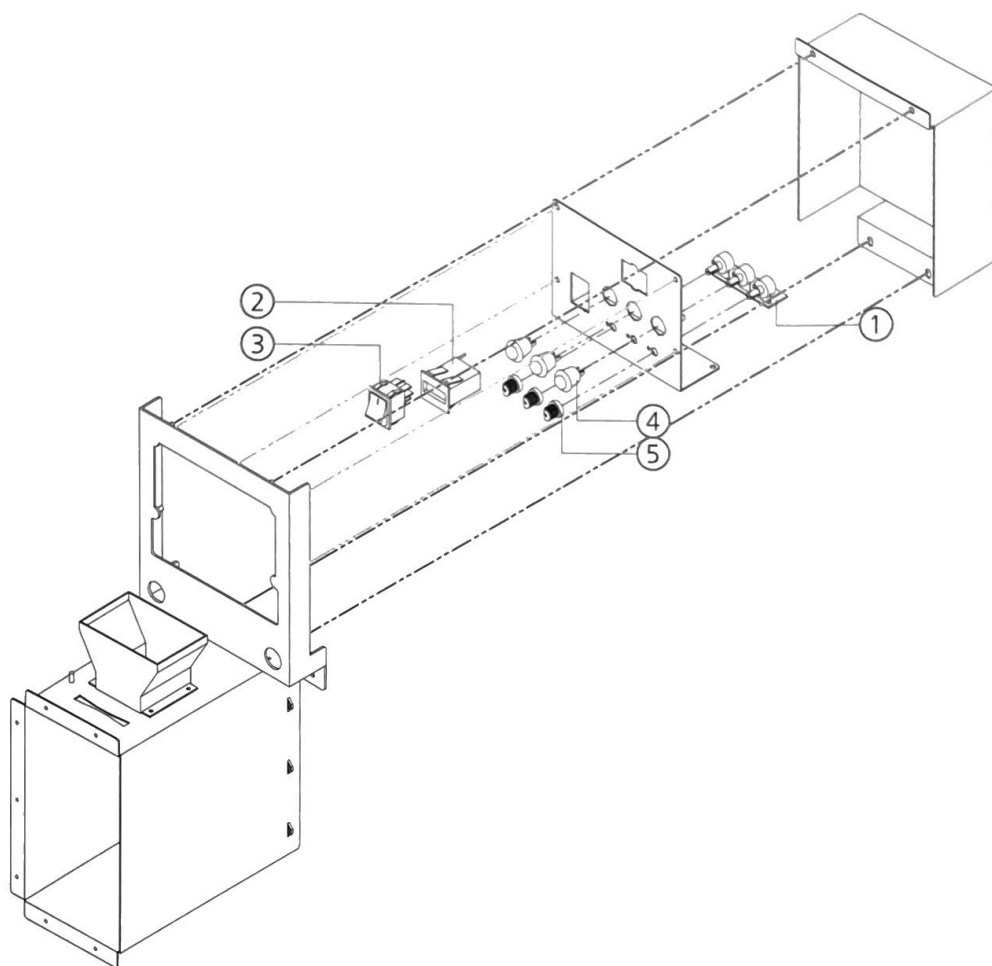
NO.	PART NAME	SPEC.	QUANTITY	CODE NO.
1	POWER SMPS	-	1	-
2	POWER SMPS	-	2	-
3	POWER SMPS	-	2	-
4	TERMINAL BLOCK	-	1	-
5	NOISE FILTER	-	1	-

### 7-3. COIN DOOR CASE PART



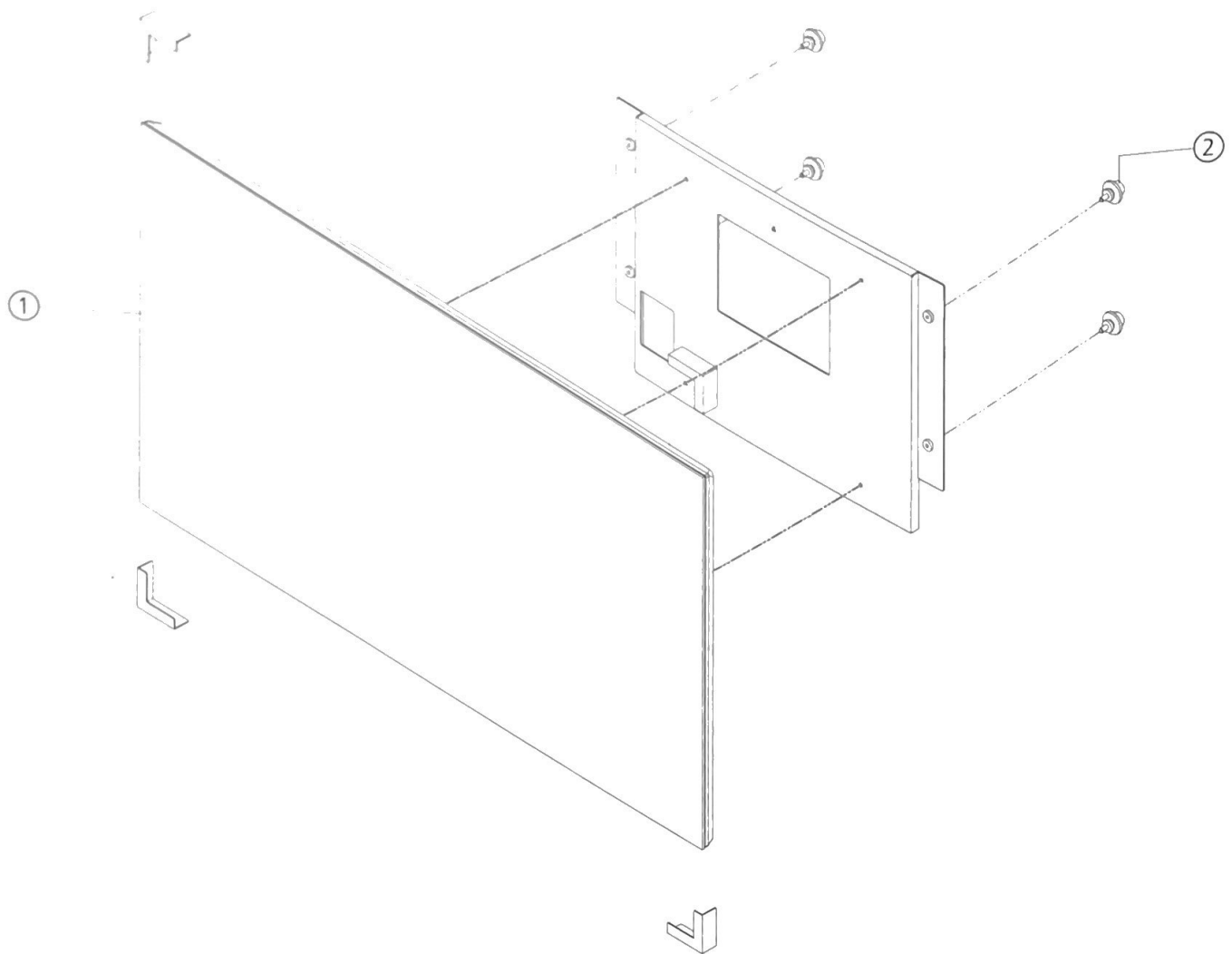
NO.	PART NAME	SPEC.	QUANTITY	CODE NO.
1	SETUP PANEL ASS'Y	-	1	-
2	COIN BOX	-	1	-
3	COIN SELECTOR	-	1	-
4	KEY ASS'Y	-	1	-
5	KEY ASS'Y	-	1	-

## 7-4. SETUP PANEL PART



NO.	PART NAME	SPEC.	QUANTITY	CODE NO.
1	VOLUME PCB ASS'Y	-	1	-
2	COUNTER	-	1	-
3	ROCKER SWITCH	-	1	-
4	PUSH BUTTON SWITCH	-	3	-
5	VOLUME KONB	-	3	-

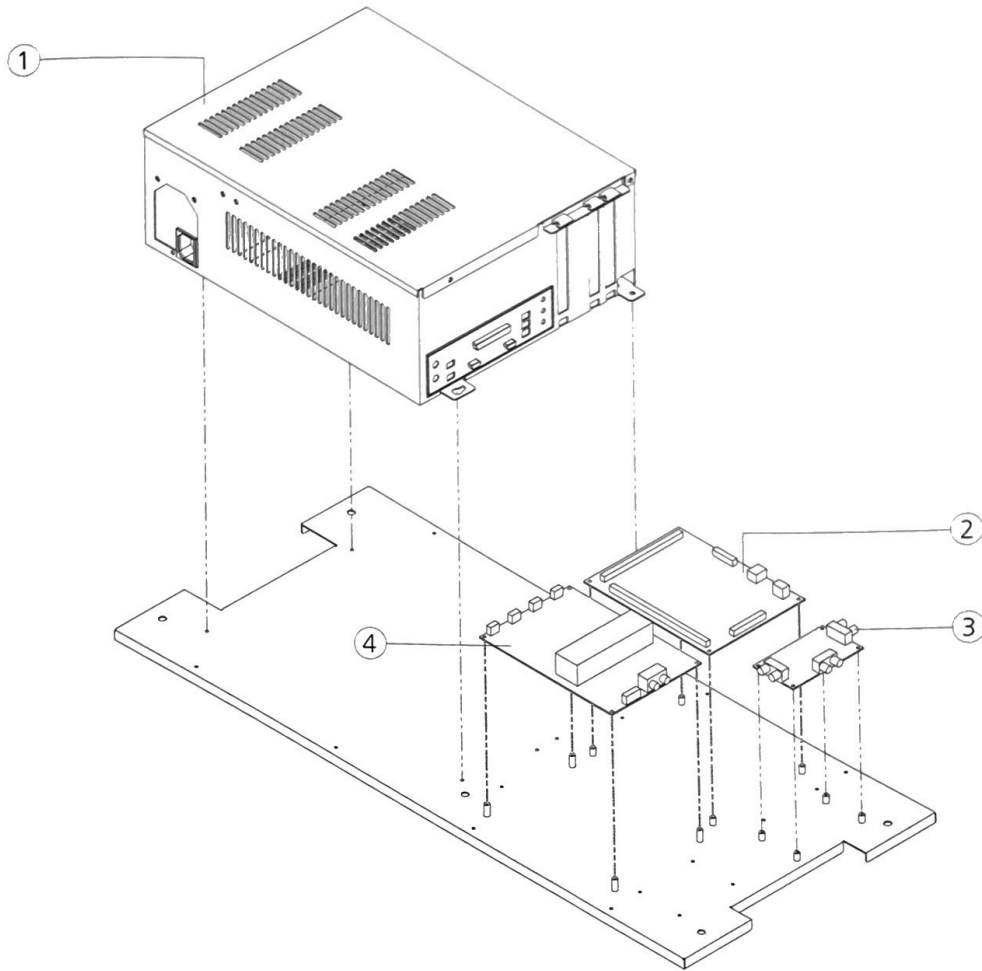
# 7-5. MONITOR PART



NO.	PART NAME	SPEC.	QUANTITY	CODE NO.
1	LED MONITOR	55"	1	-
2	WALL MOUNT BLOCK	-	4	-

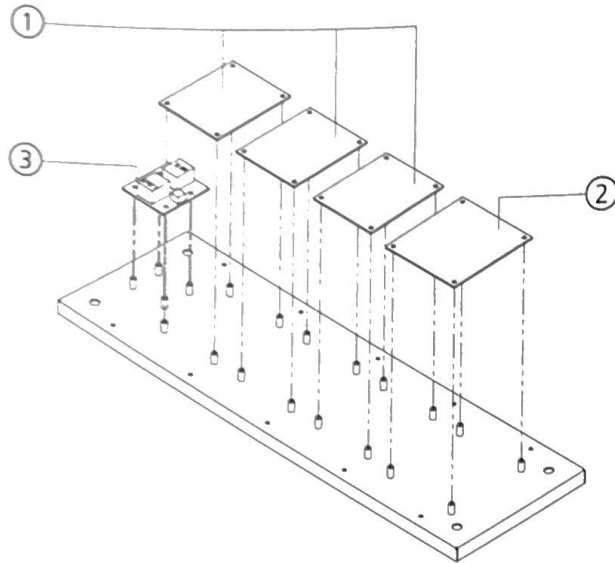


## 7-6. PC BASE PART



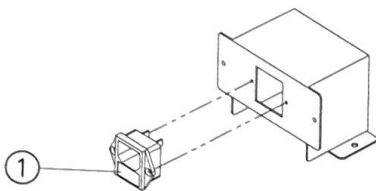
NO.	PART NAME	SPEC.	QUANTITY	CODE NO.
1	MAIN BOX ASS'Y	-	1	-
2	PIU IO PCB ASS'Y	-	1	AZZZ0PCB145
3	DSP SOUND DVI PCB ASS'Y	-	1	APLX0PCB012
4	DIGITAL AMP 100W PCB ASS'Y	-	1	APLX0PCB011

## 7-7. PCB BASE PART



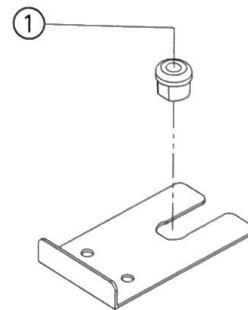
NO.	PART NAME	SPEC.	QUANTITY	CODE NO.
1	WS2813B DISPLAY PCB ASS'Y	-	3	APLX0PCB002
2	EQ CONTROL PCB ASS'Y	-	1	APLX0PCB001
3	LAN JOIN PCB ASS'Y	-	1	-

## 7-8. AC INPUT PART



NO.	PART NAME	SPEC.	QUANTITY	CODE NO.
1	AC INPUT	-	1	-
2	FUSE	-	2	-

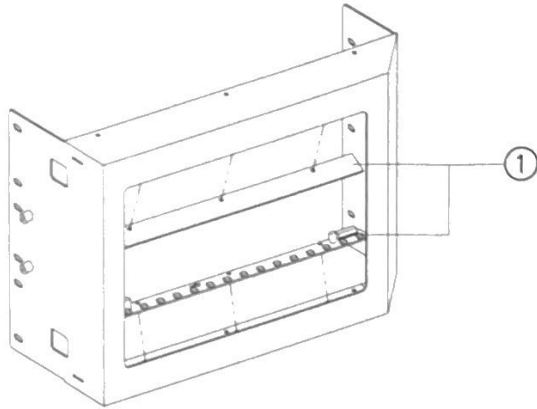
## 7-9. LAN CABLE PART



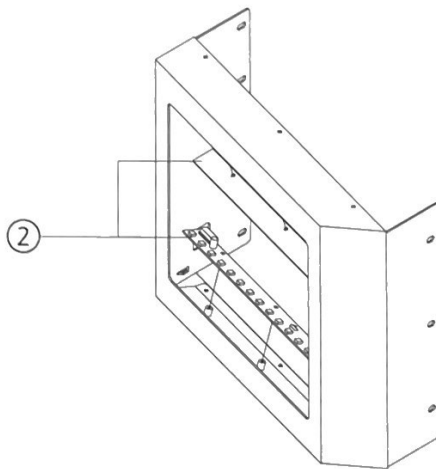
NO.	PART NAME	SPEC.	QUANTITY	CODE NO.
1	CABLE STOPPER	-	1	-

7-10. MID SPEAKER SIDE COVER L,R PART

L

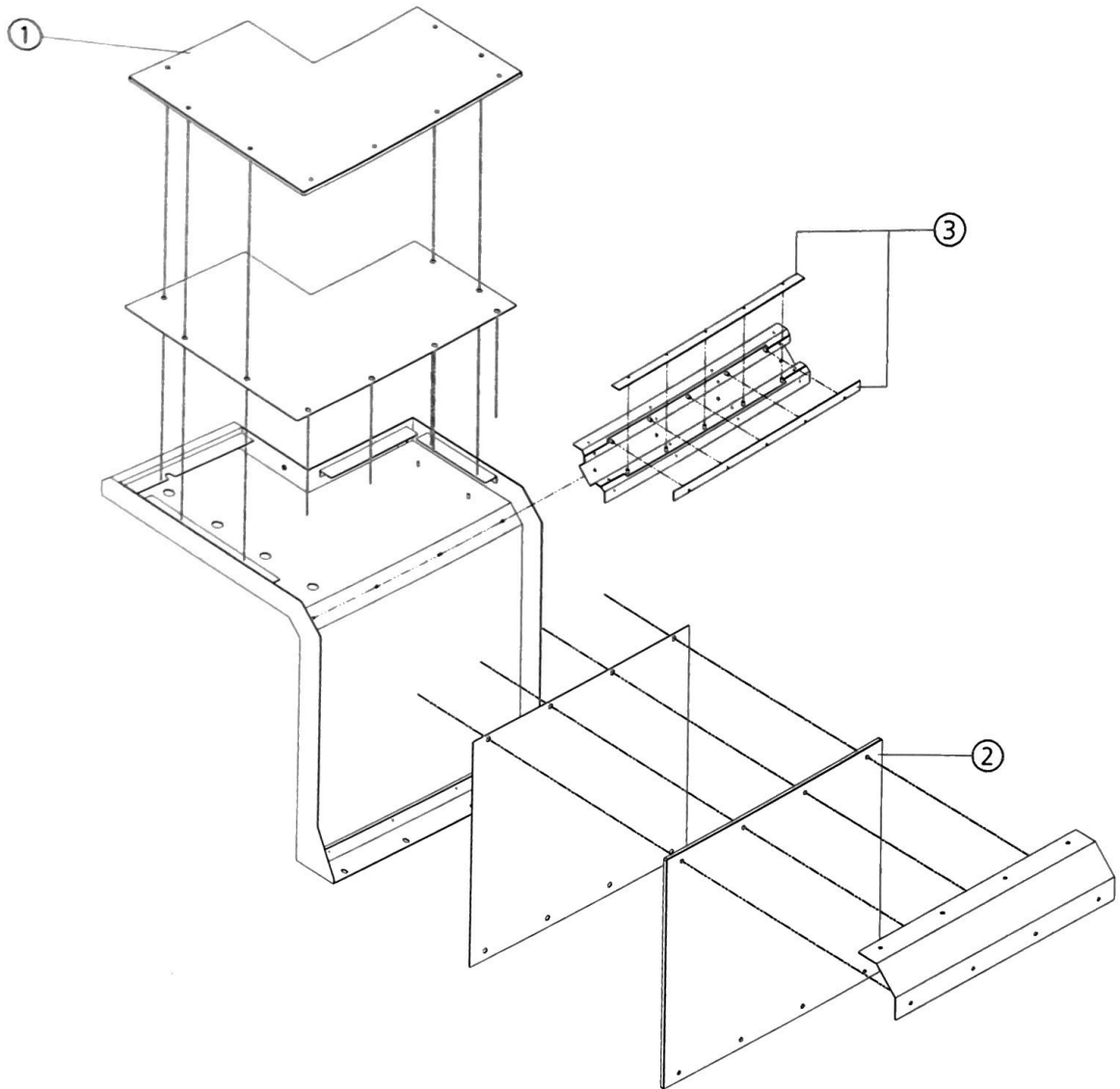


R



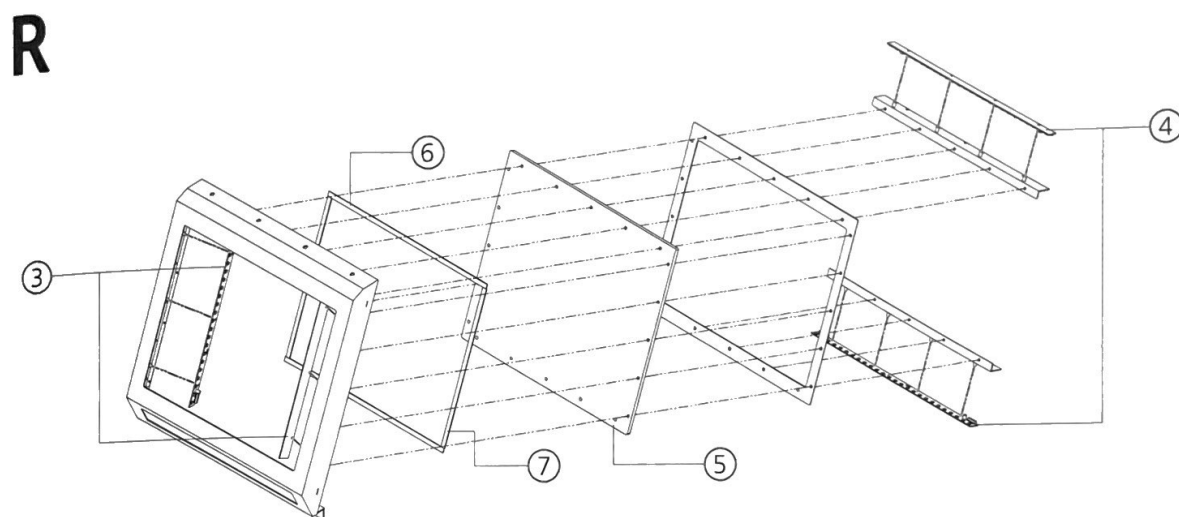
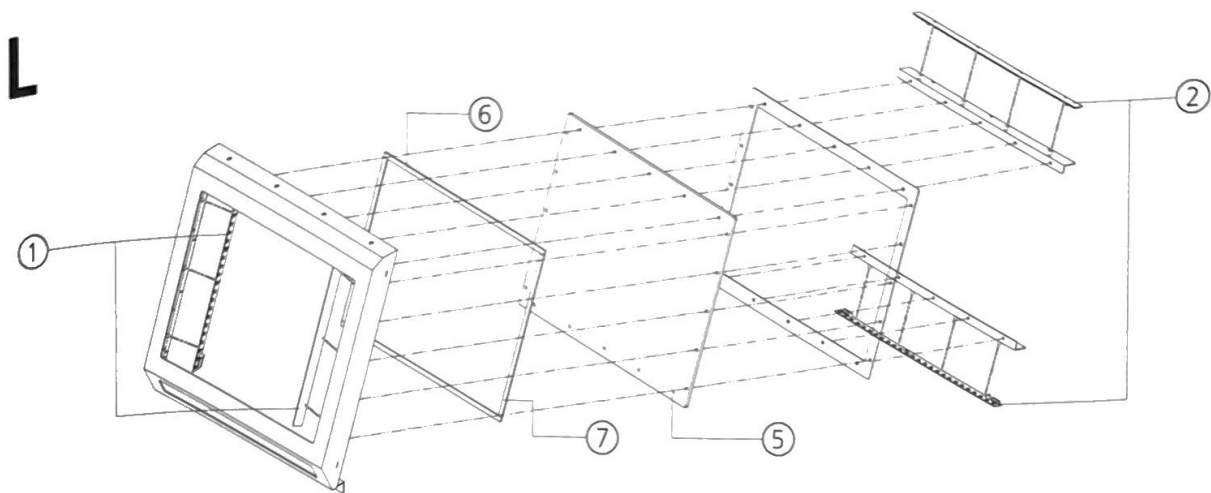
NO.	PART NAME	SPEC.	QUANTITY	CODE NO.
1	16EA- L LED PCB ASS'Y	-	2	-
2	16EA- R LED PCB ASS'Y	-	2	-

# 7-11. SPEAKER DECO PART



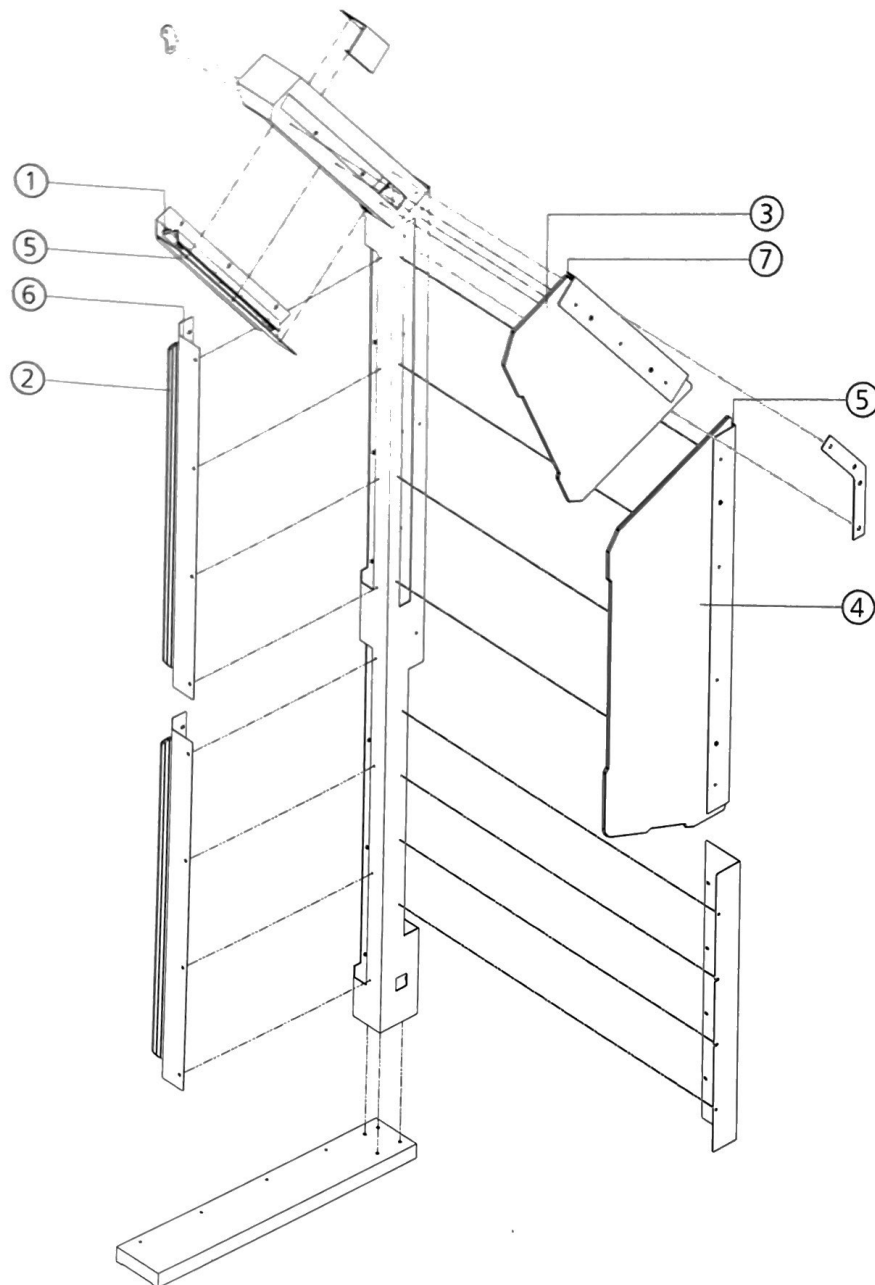
NO.	PART NAME	SPEC.	QUANTITY	CODE NO.
1	SPEAKER DECO TOP ACRYL-R	-	1	-
2	SPEAKER DECO TOP ACRYL-R	-	1	-
3	30EA-L LED PCB ASS'Y	-	2	-
	30EA-R LED PCB ASS'Y	-	2	-

## 7-12. WOOFER SPEAKER COVER L,R PART



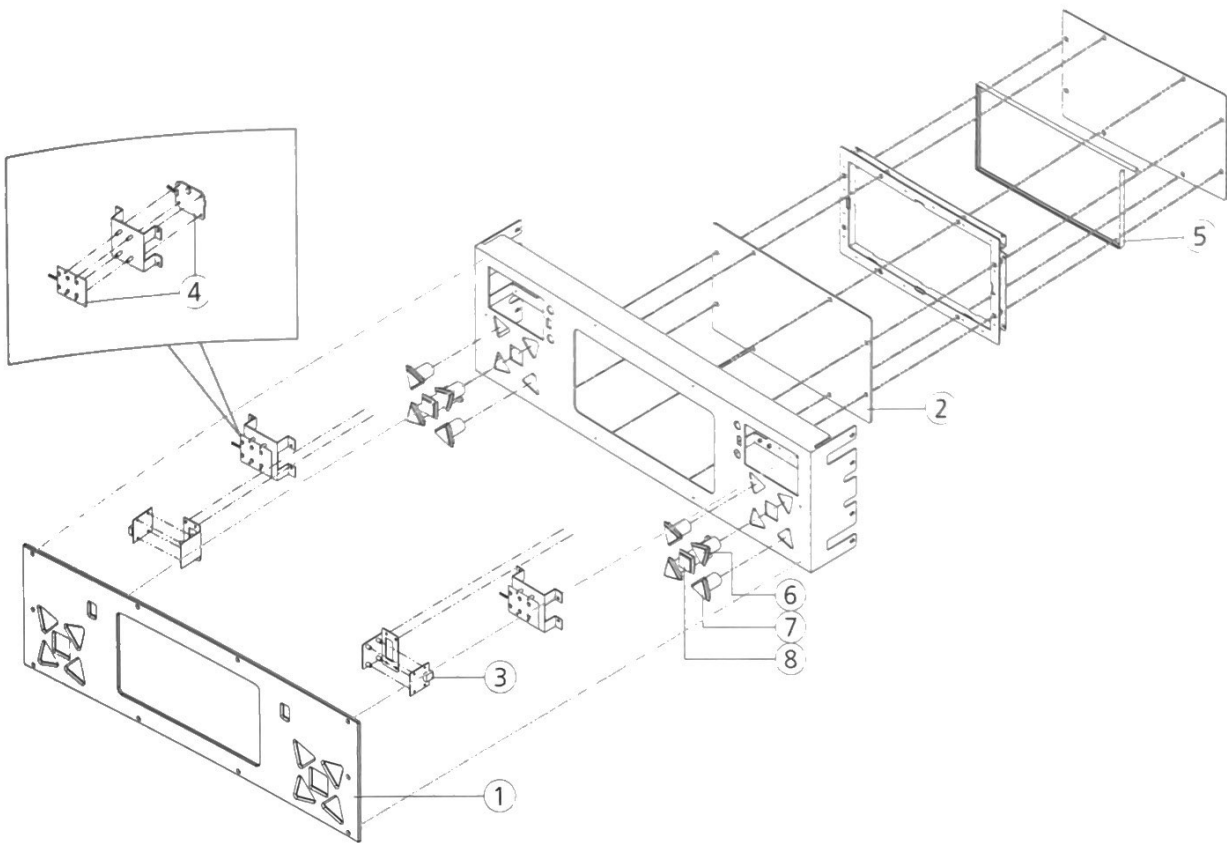
NO.	PART NAME	SPEC.	QUANTITY	CODE NO.
1	21EA_L LED PCB ASS'Y	-	2	-
2	26EA_R LED PCB ASS'Y	-	2	-
3	21EA_R LED PCB ASS'Y	-	2	-
4	26EA_R LED PCB ASS'Y	-	2	-
5	WOOFER SPEAKER ACRYL	ACRYL-8.0t	2	-
6	SPONGE TOP	-	2	-
7	SPONGE SIDE	-	2	-

# 7-13. LIGHT COLUME L PART



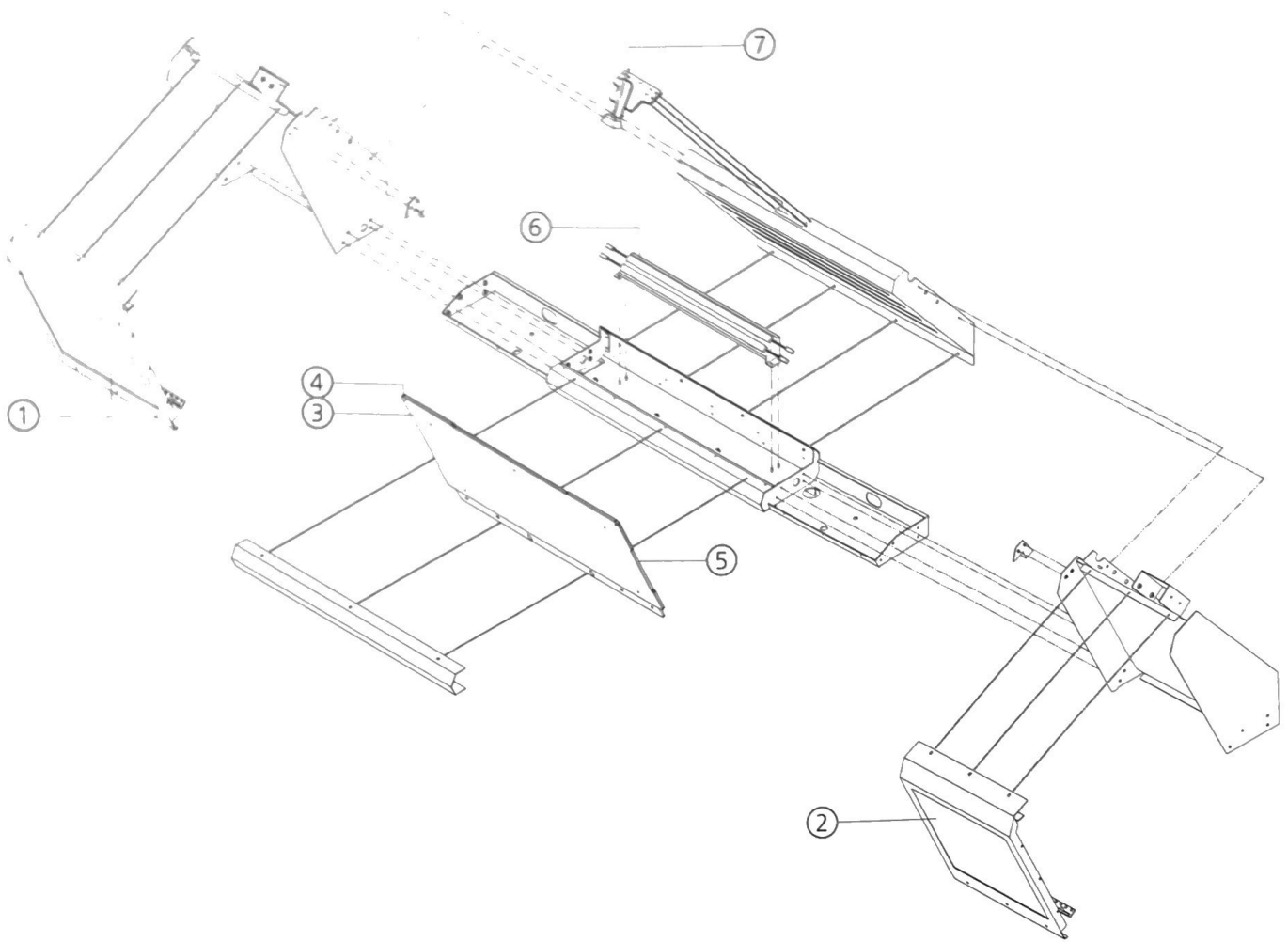
NO.	PART NAME	SPEC.	QUANTITY	CODE NO.
1	LIGHT COLUMN SMALL COVER ACRYL	ACRYL-8.0t	1	-
2	LIGHT COLUMN LARGE COVER ACRYL	ACRYL-8.0t	1	-
3	LIGHT COLUMN SMALL ACRYL-L	ACRYL-8.0t	1	-
4	LIGHT COLUMN LARGE ACRYL-L	ACRYL-8.0t	1	-
5	[ L PART ] 30EA_L LED PCB ASS'Y	-	1	-
6	21EA_L LED PCB ASS'Y	-	1	-
7	26EA_L LED PCB ASS'Y	-	4	-
	[ R PART ] 30EA_R LED PCB ASS'Y	-	3	-
	21EA_R LED PCB ASS'Y	-	1	-
	26EA_R LED PCB ASS'Y	-	4	-
		-	3	-

# 7-14. MID SPEAKER FRONT COVER PART



NO.	PART NAME	SPEC.	QUANTITY	CODE NO.
1	MID SPEAKER FRONT COVER ACRYL	ACRYL-5.0t	1	-
2	I.MIRROR BLACK MIRROR ACRYL	ACRYL-3.0t	1	-
3	USB ON/OFF PCB ASS'Y	-	2	-
4	CARD READER PCB ASS'Y	-	2	AELE0CAD002
5	FLEX LED PCB ASS'Y	-	1	-
6	BUTTON SWITCH ASS'Y	RED	2	-
7	BUTTON SWITCH ASS'Y	YELLOW	1	-
8	BUTTON SWITCH ASS'Y	BLUE	2	-

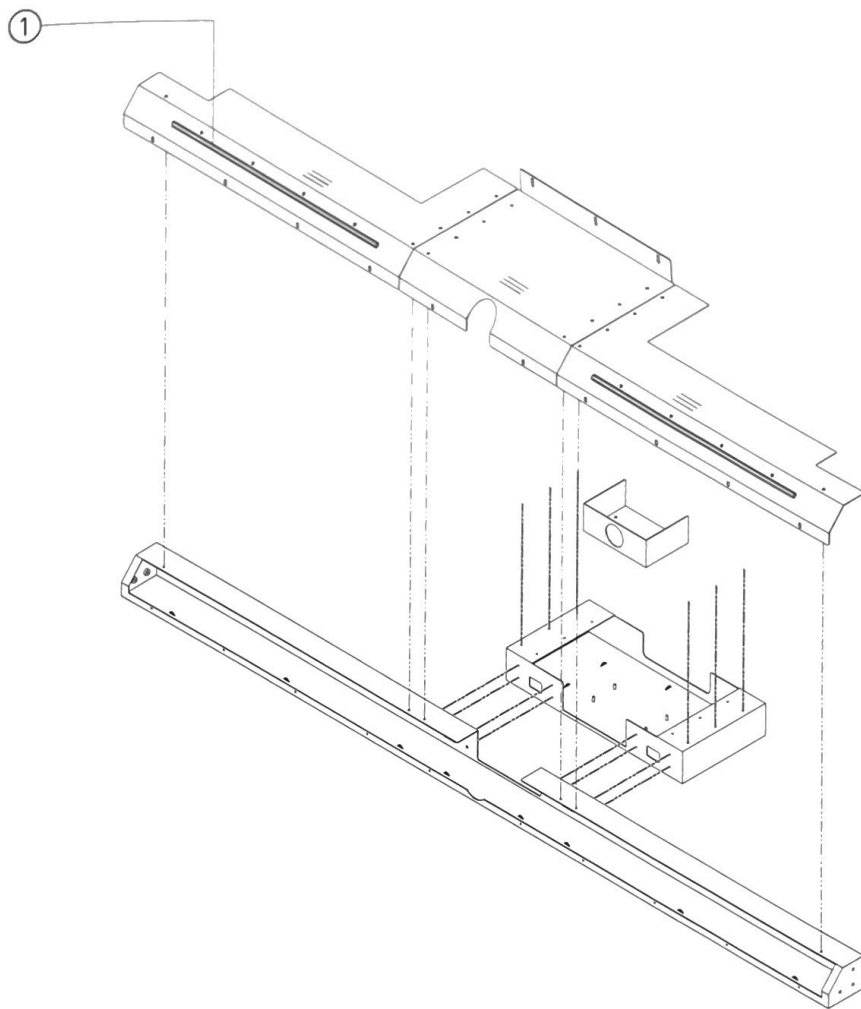
# 7-15. BILLBOARD PART



NO.	PART NAME	SPEC.	QUANTITY	CODE NO.
1	BILLBOARD SIDE COVER ACRYL-L	ACRYL-8.0t	1	-
2	BILLBOARD SIDE COVER ACRYL-R	ACRYL-8.0t	1	-
3	BILLBOARD TITLE FRONT ACRYL	ACRYL-3.0t	1	-
4	PIU BILLBOARD PRIME2	PET-0.5t	1	-
5	BILLBOARD TITLE BACK ACRYL	ACRYL-5.0t	1	-
6	12V_LED BAR PCB ASS'Y	-	2	-
7	WEB CAM	-	1	-



# 7-16. BASE LIGHT DECO PART

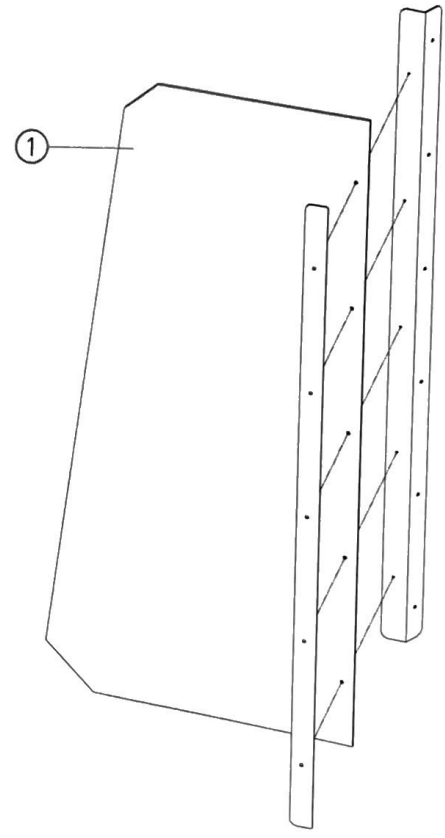
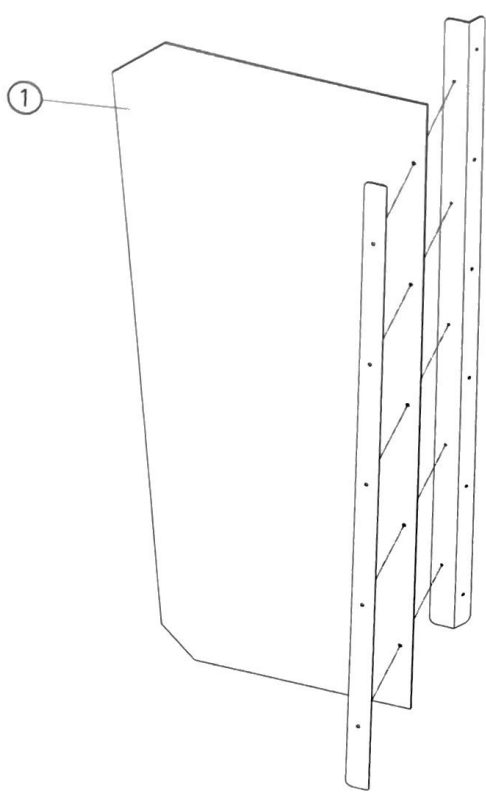


NO.	PART NAME	SPEC.	QUANTITY	CODE NO.
1	BASE LIGHT DECO ACRYL	ACRYL-8.0t	2	-

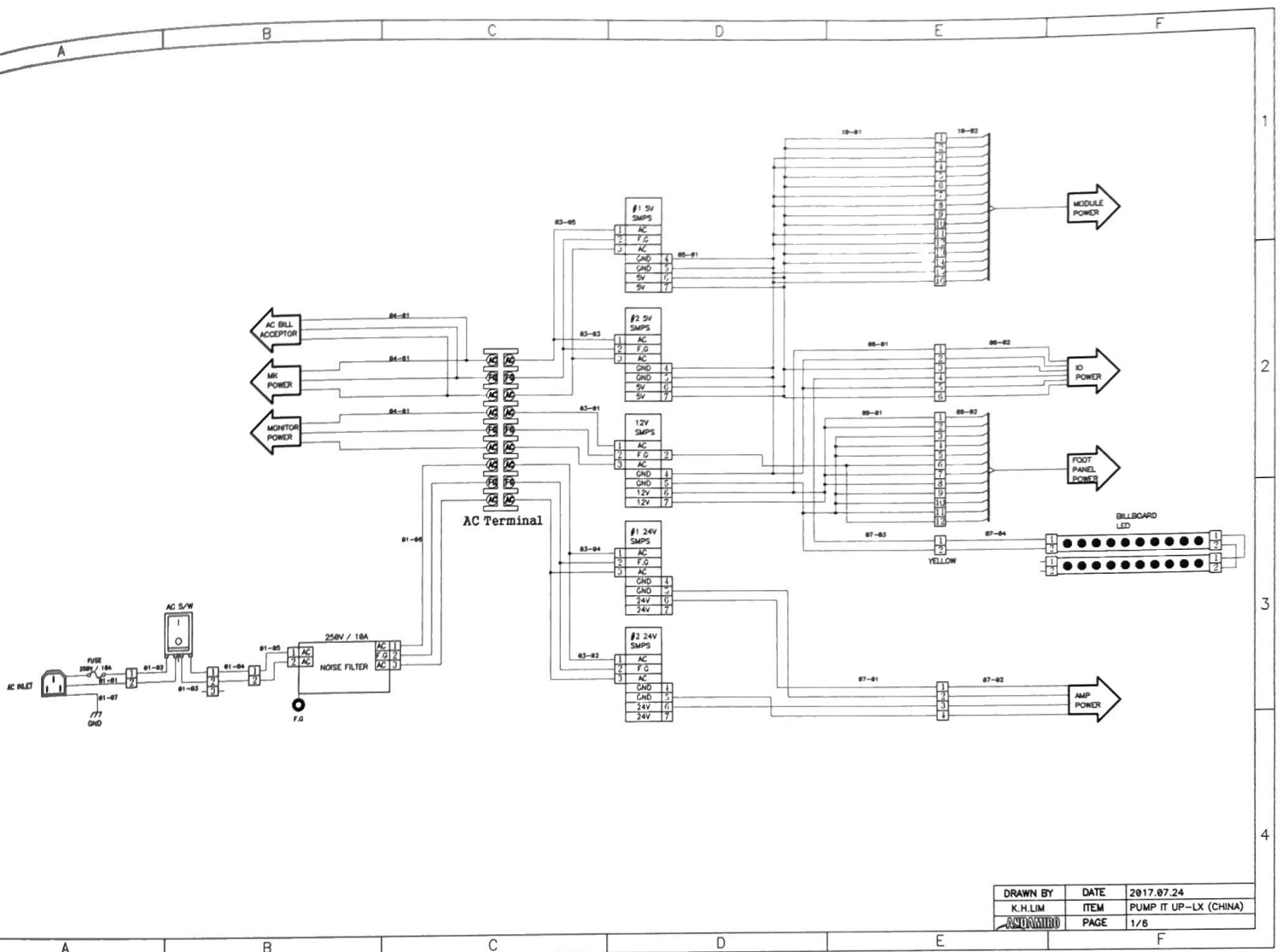
7-17. [ OPTION ] POP PART

L

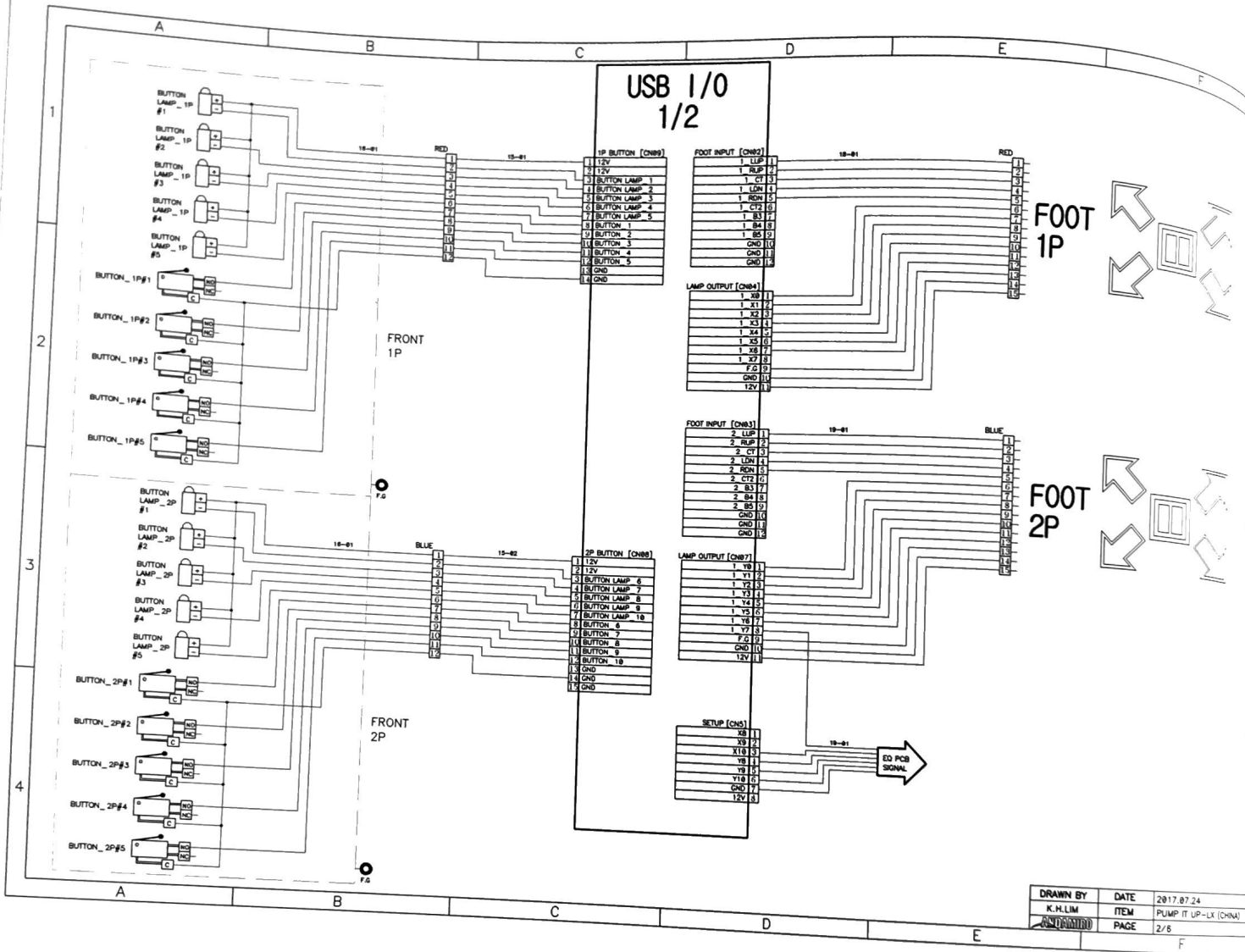
R



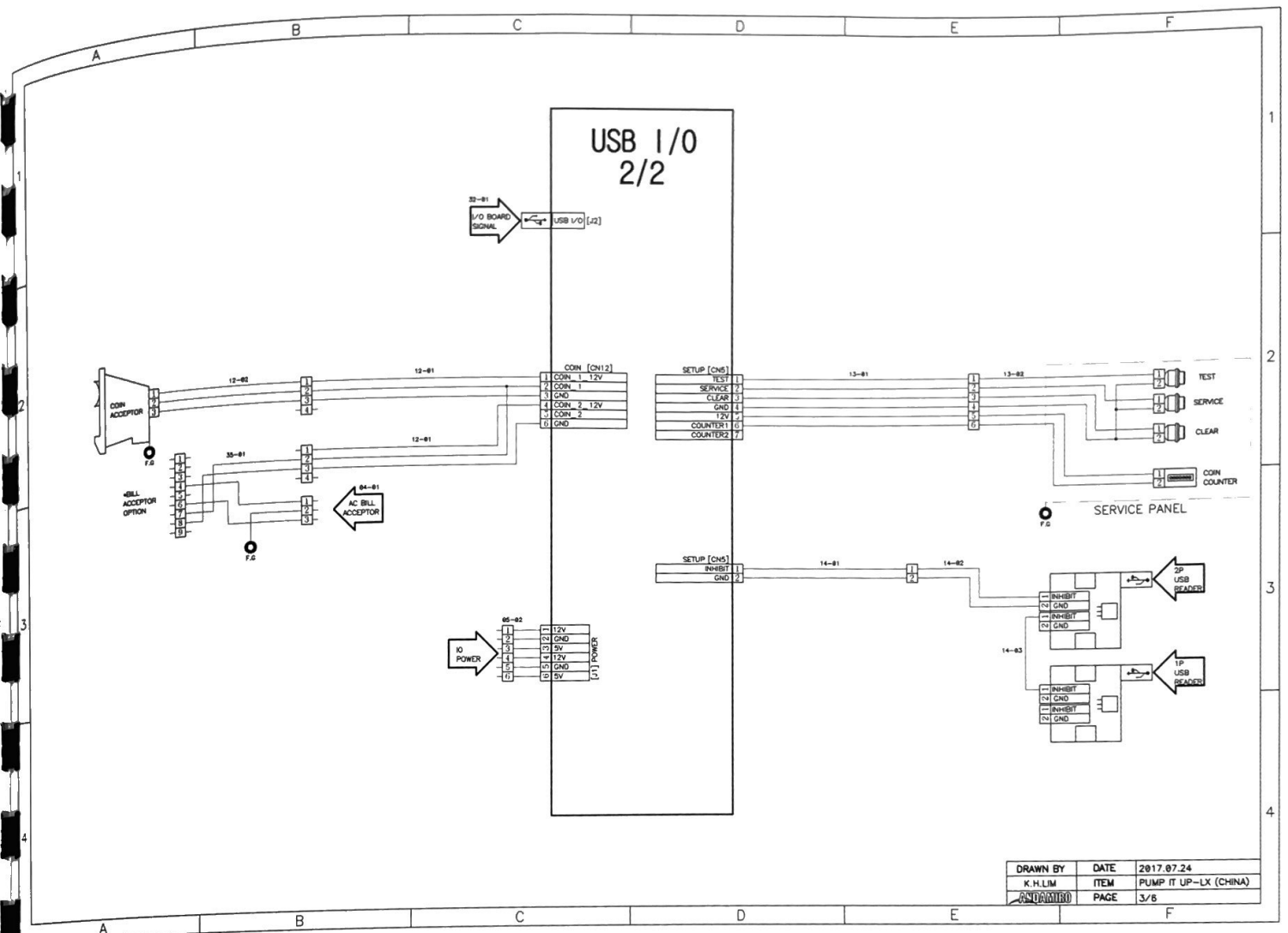
NO.	PART NAME	SPEC.	QUANTITY	CODE NO.
1	SIDE POP-L, R	-	2	-



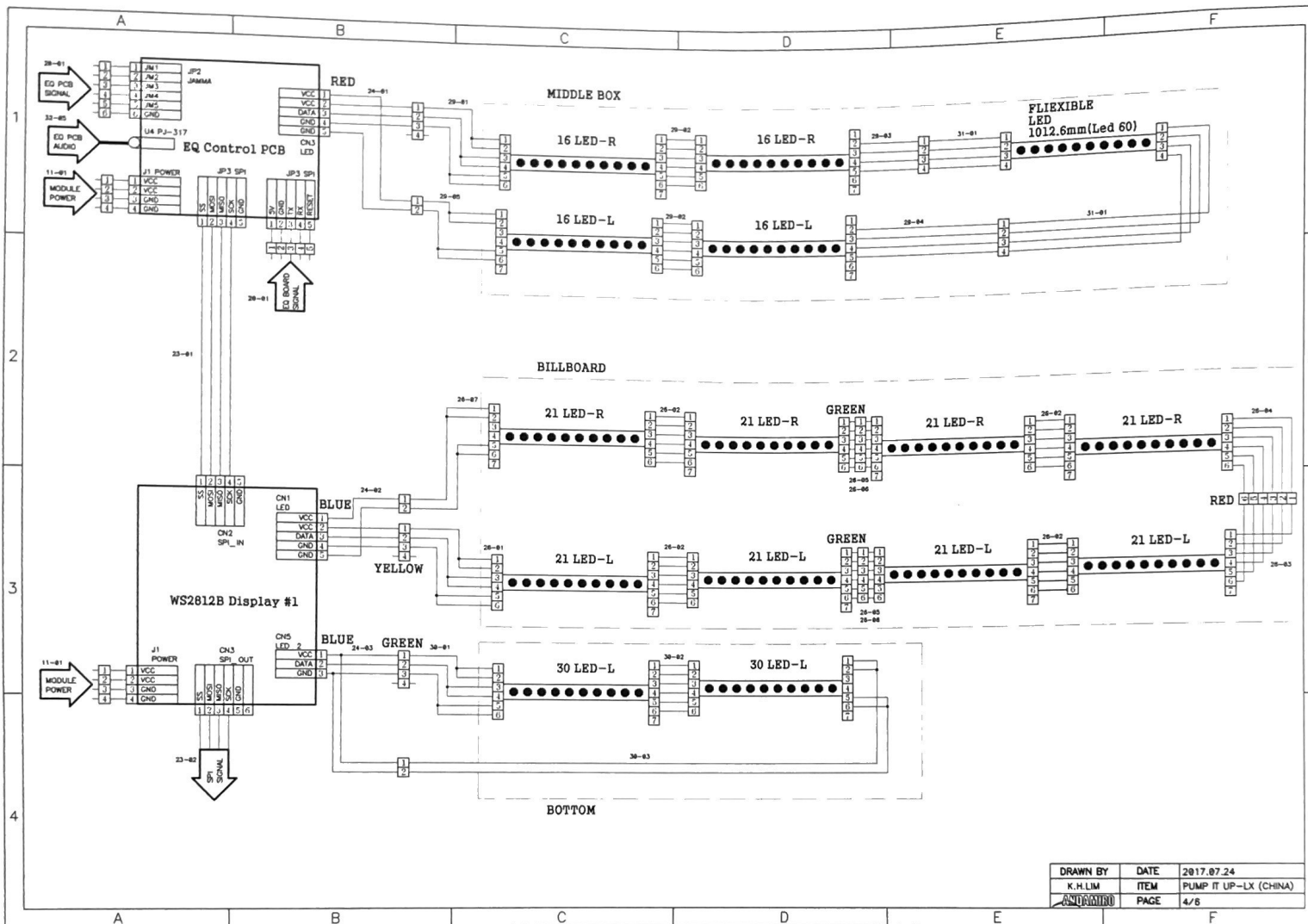
DRAWN BY	DATE	2017.07.24
K.H.LIM	ITEM	PUMP IT UP-LX (CHINA)
REVISION	PAGE	1/6



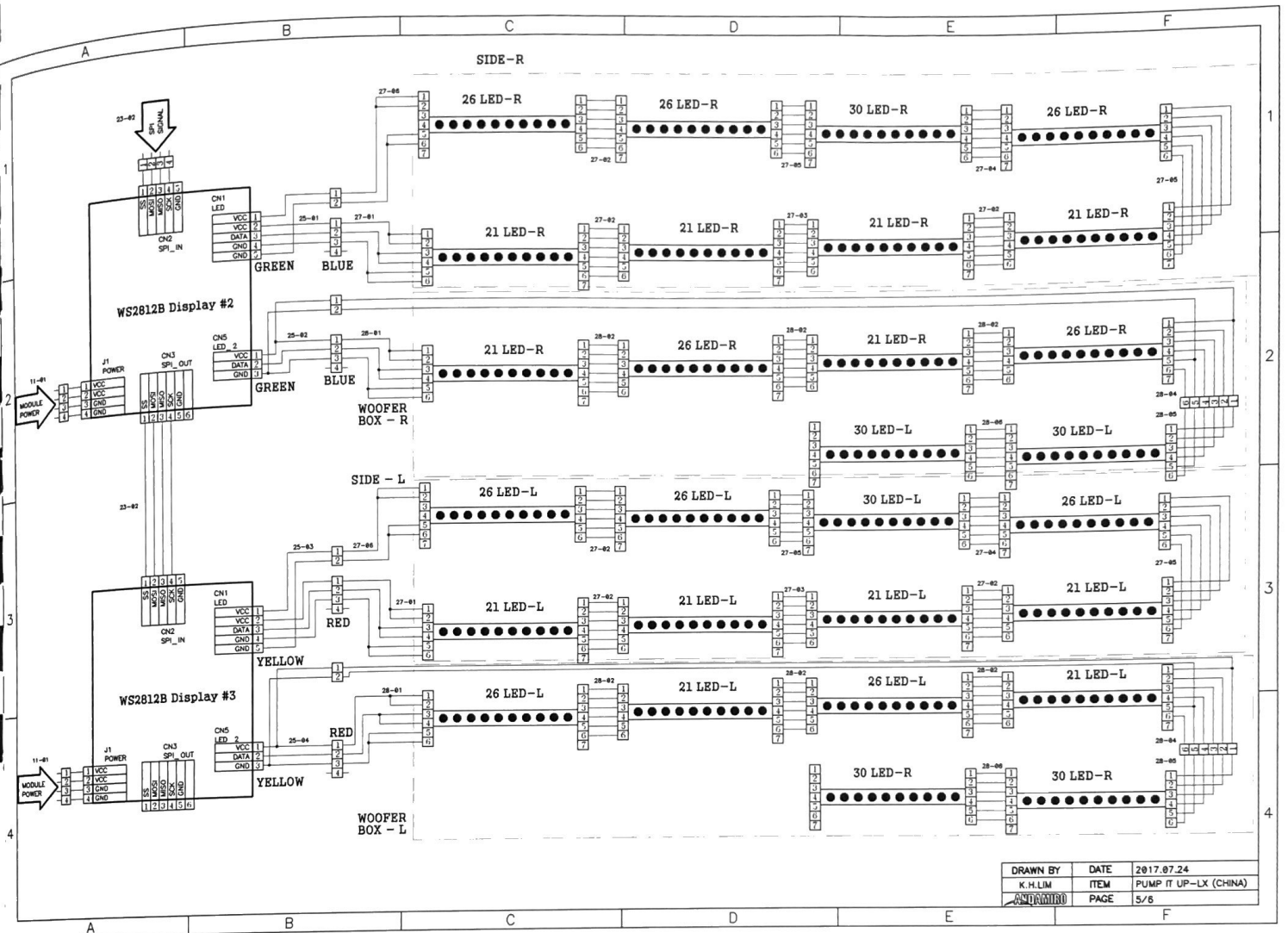
DRAWN BY	DATE	2017.07.24
K.H.LIM	ITEM	PLUMP IT UP-LX (CHINA)
	PAGE	2/6



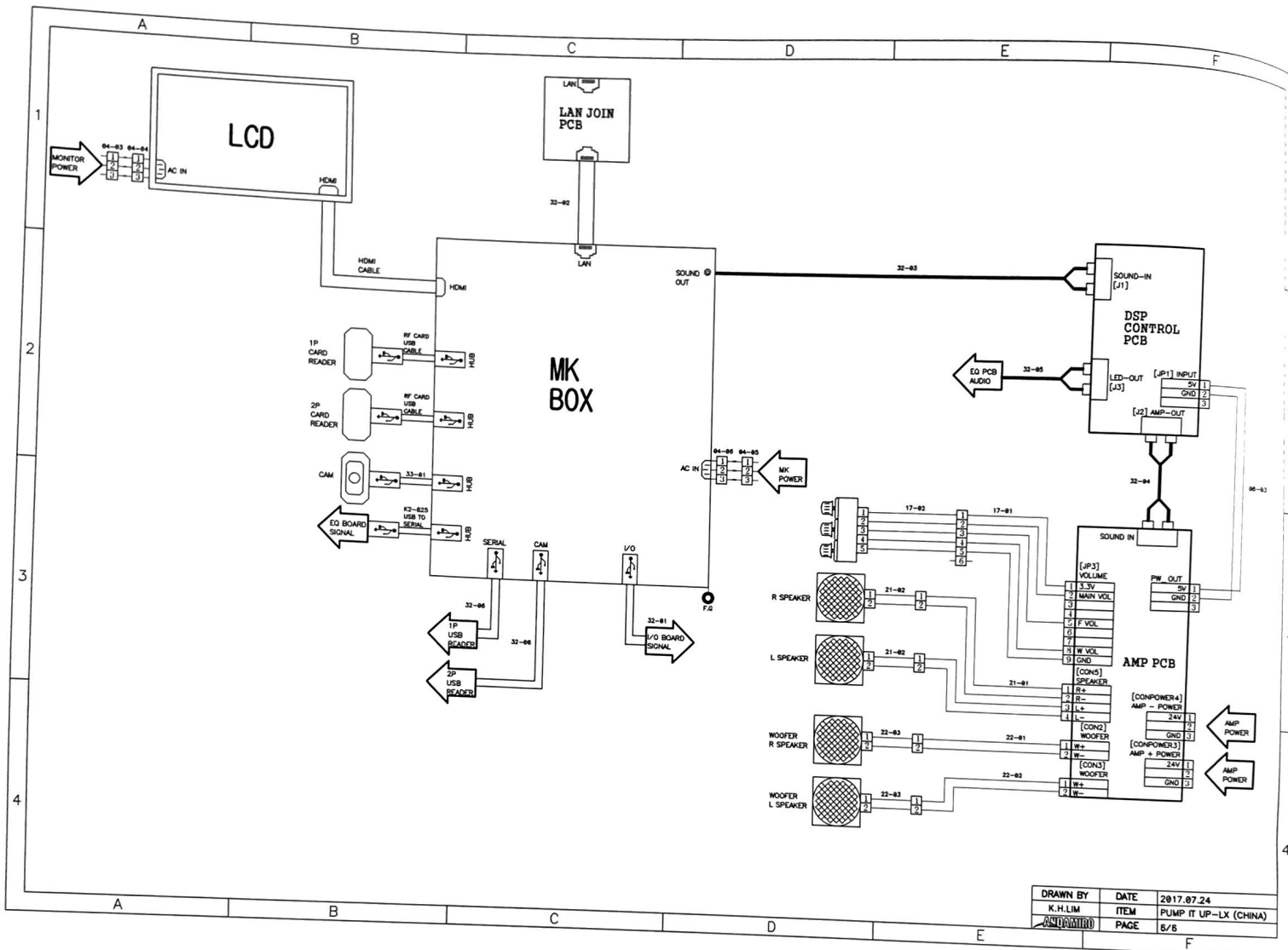
DRAWN BY	DATE	2017.07.24
K.H.LIM	ITEM	PUMP IT UP-LX (CHINA)
ASDAMIBO	PAGE	3/6



DRAWN BY	DATE	2017.07.24
K.H.LIM	ITEM	PUMP IT UP-LX (CHINA)
ANDRATED	PAGE	4/6



DRAWN BY	DATE	2017.07.24
K.H.LIM	ITEM	PUMP IT UP-LX (CHINA)
ANTAMIBO	PAGE	5/6



DRAWN BY	DATE	2017.07.24
K.H.LIM	ITEM	PUMP IT UP-LX (CHINA)
ASURUMI	PAGE	6/6



**PUM IT UP PHOENIX**